



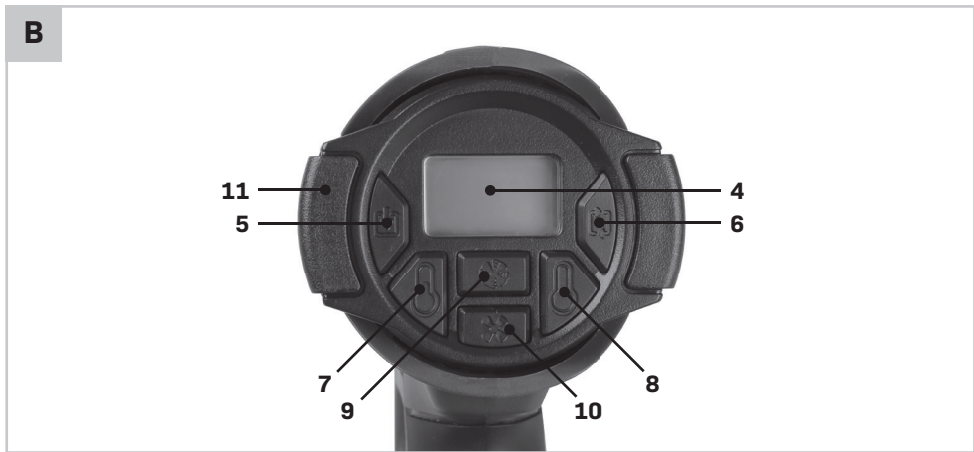
VONROC®

BUILD YOUR FUTURE

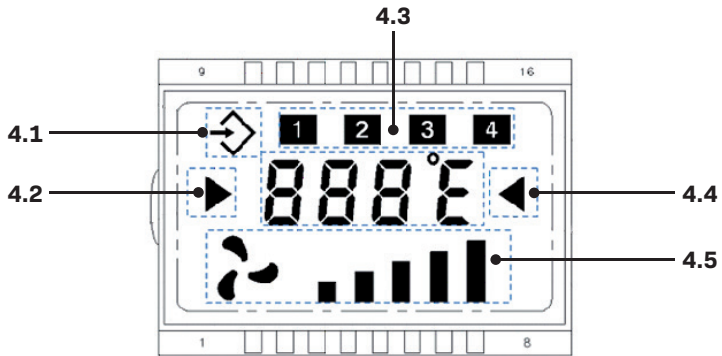
HOT AIR GUN HA502AC



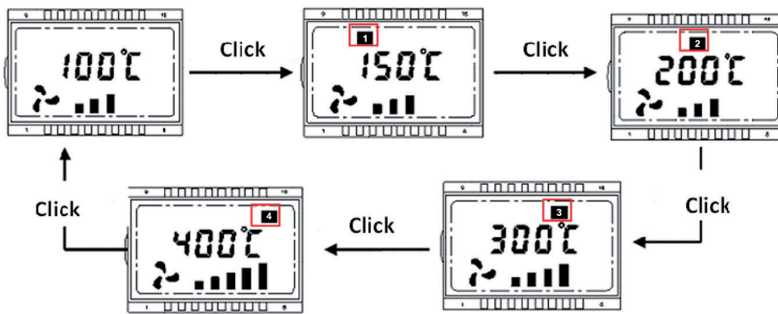
| | | |
|-----------|---|----|
| EN | Original Instructions | 04 |
| DE | Übersetzung Der Originalbetriebsanleitung | 10 |
| NL | Vertaling van de oorspronkelijke gebruiksaanwijzing | 17 |
| FR | Traduction de la notice originale | 24 |
| ES | Traducción del manual original | 31 |
| IT | Traduzione delle istruzioni originali | 38 |
| PL | Tłumaczenie instrukcji oryginalnej | 45 |



C



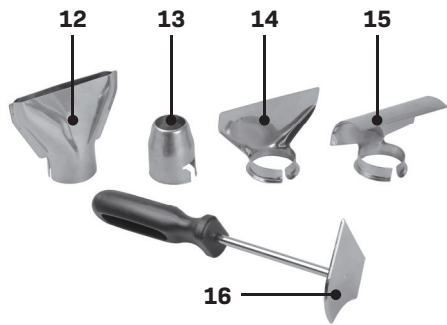
D



E



F



1. SAFETY INSTRUCTIONS

Read the enclosed safety warnings, the additional safety warnings and the instructions. Failure to follow the safety warnings and the instructions may result in electric shock, fire and/or serious injury. Save the safety warnings and the instructions for future reference.

The following symbols are used in the user manual or on the product:



Denotes risk of personal injury, loss of life or damage to the tool in case of non-observance of the instructions in this manual.



Indicates electrical shock hazard.

GENERAL POWER TOOL SAFETY WARNINGS



WARNING! Read all safety warnings and all instructions. Failure to follow the warnings and instructions may result in electric shock, fire and/or serious injury.

Save all warnings and instructions for future reference.

The term “power tool” in the warnings refers to your mains-operated (corded) power tool or battery-operated (cordless) power tool.

1) Work area safety

- a) **Keep the work area clean and well lit.** Cluttered or dark areas invite accidents.
- b) **Do not operate power tools in explosive atmospheres, such as in the presence of flammable liquids, gases or dust.** Power tools create sparks which may ignite the dust or fumes.
- c) **Keep children and bystanders away while operating a power tool.** Distractions can cause you to lose control.

2) Electrical safety

- a) **Power tool plugs must match the outlet. Never modify the plug in any way. Do not use any adapter plugs with earthed (grounded) power tools.** Unmodified plugs and matching outlets will reduce risk of electric shock.
- b) **Avoid body contact with earthed or grounded surfaces, such as pipes, radiators, ranges and refrigerators.** There is an increased risk of electric shock if your body is earthed or grounded.
- c) **Do not expose power tools to rain or wet condi-**

tions. Water entering a power tool will increase the risk of electric shock.

- d) **Do not abuse the cord. Never use the cord for carrying, pulling or unplugging the power tool. Keep cord away from heat, oil, sharp edges or moving parts.** Damaged or entangled cords increase the risk of electric shock.
- e) **When operating a power tool outdoors, use an extension cord suitable for outdoor use.** Use of a cord suitable for outdoor use reduces the risk of electric shock.
- f) **If operating a power tool in a damp location is unavoidable, use a residual current device (RCD) protected supply.** Use of an RCD reduces the risk of electric shock.

3) Personal safety

- a) **Stay alert, watch what you are doing and use common sense when operating a power tool. Do not use a power tool while you are tired or under the influence of drugs, alcohol or medication.** A moment of inattention while operating power tools may result in serious personal injury.
- b) **Use personal protective equipment. Always wear eye protection.** Protective equipment such as dust mask, non-skid safety shoes, hard hat, or hearing protection used for appropriate conditions will reduce personal injuries.
- c) **Prevent unintentional starting. Ensure the switch is in the off-position before connecting to power source and/or battery pack, picking up or carrying the tool.** Carrying power tools with your finger on the switch or energising power tools that have the switch on invites accidents.
- d) **Remove any adjusting key or wrench before turning the power tool on.** A wrench or a key left attached to a rotating part of the power tool may result in personal injury.
- e) **Do not overreach. Keep proper footing and balance at all times.** This enables better control of the power tool in unexpected situations.
- f) **Dress properly. Do not wear loose clothing or jewellery. Keep your hair, clothing and gloves away from moving parts.** Loose clothes, jewellery or long hair can be caught in moving parts.
- g) **If devices are provided for the connection of dust extraction and collection facilities, ensure these are connected and properly used.** Use of dust collection can reduce dust related hazards.
- h) **Do not let familiarity gained from frequent use of tools allow you to become complacent and ig-**

nore tool safety principles. A careless action can cause severe injury within a fraction of a second.

4) Power tool use and care

- a) **Do not force the power tool. Use the correct power tool for your application.** The correct power tool will do the job better and safer at the rate for which it was designed.
- b) **Do not use the power tool if the switch does not turn it on and off.** Any power tool that cannot be controlled with the switch is dangerous and must be repaired.
- c) **Disconnect the plug from the power source and/or the battery pack from the power tool before making any adjustments, changing accessories, or storing power tools.** Such preventive safety measures reduce the risk of starting the power tool accidentally.
- d) **Store idle power tools out of the reach of children and do not allow persons unfamiliar with the power tool or these instructions to operate the power tool.** Power tools are dangerous in the hands of untrained users.
- e) **Maintain power tools. Check for misalignment or binding of moving parts, breakage of parts and any other condition that may affect the power tool's operation. If damaged, have the power tool repaired before use.** Many accidents are caused by poorly maintained power tools.
- f) **Keep cutting tools sharp and clean.** Properly maintained cutting tools with sharp cutting edges are less likely to bind and are easier to control.
- g) **Use the power tool, accessories and tool bits etc. in accordance with these instructions, taking into account the working conditions and the work to be performed.** Use of the power tool for operations different from those intended could result in a hazardous situation.
- h) **Keep handles and grasping surfaces dry, clean and free from oil and grease.** Slippery handles and grasping surfaces do not allow for safe handling and control of the tool in unexpected situations.

5) Battery tool use and care

- a) **Recharge only with the charger specified by the manufacturer.** A charger that is suitable for one type of battery pack may create a risk of fire when used with another battery pack.
- b) **Use power tools only with specifically designated battery packs.** Use of any other battery packs may create a risk of injury and fire.

- c) **When battery pack is not in use, keep it away from other metal objects, like paper clips, coins, keys, nails, screws or other small metal objects that can make a connection from one terminal to another.** Shorting the battery terminals together may cause burns or a fire.
- d) **Under abusive conditions, liquid may be ejected from the battery; avoid contact. If contact accidentally occurs, flush with water. If liquid contacts eyes, additionally seek medical help.** Liquid ejected from the battery may cause irritation or burns.
- e) **Do not use a battery pack or tool that is damaged or modified.** Damaged or modified batteries may exhibit unpredictable behaviour resulting in fire, explosion or risk of injury.
- f) **Do not expose a battery pack or tool to fire or excessive temperature.** Exposure to fire or temperature above 130 °C may cause explosion. NOTE The temperature „130 °C“ can be replaced by the temperature „265 °F“.
- g) **Follow all charging instructions and do not charge the battery pack or tool outside the temperature range specified in the instructions.** Charging improperly or at temperatures outside the specified range may damage the battery and increase the risk of fire.

6) Service

- a) **Have your power tool serviced by a qualified repair person using only identical replacement parts.** This will ensure that the safety of the power tool is maintained.
- b) **Never service damaged battery packs.** Service of battery packs should only be performed by the manufacturer or authorized service providers.

ADDITIONAL SAFETY WARNINGS FOR HOT AIR GUN

Before using the appliance check the following:



Make sure the voltage of the hot air gun corresponds with the power voltage; Are the mains lead and the mains plug in a good state: strong, without ravel or damages.

- Avoid the use of long extension cables;
- Do not use the appliance under moist circumstances;
- The metal mouthpiece gets hot. Watch out and do not touch the metal mouthpiece;

- Prevent damage of the heating element. Do not lock or block the mouth piece;
- Do not leave the appliance when switched on;
- Do not use the appliance for drying hair or for drying living human beings in general;
- Do not use the appliance in a bath, above water or in spaces where easy inflammable liquids are used.



This appliance operates at a temperature of 600 degrees without visible signs of this temperature (no flames), still there is a chance of fire risk. Watch out for the hot air stream from the mouth piece. This air stream can cause burns.

When operating the appliance

- If you are going to use the hot air gun, vapours and gas can be released during a short time. This can be harmful for your health. Asthmatics can suffer hindrance of it;
- Before connecting the plug to the mains voltage you have to check if the switch is in position "0";
- Keep the mains lead always away from the mouthpiece of the hot air gun;
- Keep children and animals away from the appliance if you are using it.

Immediately switch off the appliance when:

- Plug and/or cable are defective or damaged;
- The switch is defective;
- You smell or see smoke caused by scorched insulation from the hot air gun.

Electrical safety

When using electric machines always observe the safety regulations applicable in your country to reduce the risk of fire, electric shock and personal injury. Read the following safety instructions and also the enclosed safety instructions.



Always check that the power supply corresponds to the voltage on the rating plate.



Class II machine - Double insulation - You don't need any earthed plug

2. MACHINE INFORMATION

Intended use

This hot air gun is intended for a wide range of applications including plastic welding, the deformation of material, heat-shrink tubing, removing material residues or drying paint. It is also suitable for loosening of adhesive joints and the defrosting of water lines.

TECHNICAL SPECIFICATIONS

| Model No. | HA502AC |
|--------------------|---------------|
| Voltage | 220-240 V~ |
| Frequency | 50/60 Hz |
| Power input | 2000 W |
| Weight | 1.0 kg |
| IP Class | IP 20 |
| Position I | |
| Air flow | 250-500 l/min |
| Air temperature | 50 °C |
| Position II | |
| Air flow | 250-500 l/min |
| Air temperature | 50-650 °C |

Vibration level

The vibration emission level stated in this instruction manual has been measured in accordance with a standardized test given in EN60745; it may be used to compare one tool with another and as a preliminary assessment of exposure to vibration when using the tool for the applications mentioned.

- Using the tool for different applications, or with different or poorly maintained accessories, may significantly increase the exposure level.
- The times when the tool is switched off or when it is running but not actually doing the job, may significantly reduce the exposure level.

Protect yourself against the effects of vibration by maintaining the tool and its accessories, keeping your hands warm, and organizing your work patterns.

DESCRIPTION

The numbers in the text refer to the diagrams on pages 2 - 3

Fig. A-E

1. Switch (0/I/II)
2. Ventilations slots
3. Nozzle outlet
4. LCD digital display
- 4.1 Pre-set input
- 4.2 Flasher
- 4.3 Pre-set mode indication
- 4.4 Temperature indication
- 4.5 Air flow indication
5. Storage button
6. Mode Selection button
7. Adjustment button for temperature-
8. Adjustment button for temperature+
9. Adjustment button for air flow +
10. Adjustment button for air flow -
11. Flat rear side
12. Fishtail nozzle
13. Reduction nozzle
14. Glass protection nozzle
15. Spoon reflector nozzle
16. Scraper

3. OPERATION

The Hot air gun can be used for:

- Plumbing work like tube connections, solder, bowing tubes;
- Removing paint, varnish and lacquer without fire risk;
- Quickly drying of appliances which have become wet;
- Drying surfaces for quick repairing;
- Removing self-adhesive labels in a clean way placing PVC labels;
- Blistering after sticking PVC materials can be smoothed after heating;
- Easy removing of vinyl carpeting;
- Forming all synthetics with a low temperature (400 degrees) among which polyethylene and PVC;
- Forming all synthetics with a high temperature (600 degrees) among which acryl and plexiglass;
- Smelting synthetics, among which matters and foils with PVC layer;
- Applying heat shrinking tubes;
- Shrinkwrappers;

- Thawing tubes and engines;
- Repairing finishing layers: enamel of bath and household appliances; applying epoxy powder coverlayers;
- Repairing of ski's, surf-boards and other sports goods;
- Unscrewing too fast fixed screws and connections.

Operation (Fig. A)

You can work manually with this hot air gun or you can put it in a vertical position.

- Check if the mains switch is on position "0" before you connect the apparatus;
- Keep the main lead always away from the hot air stream and the mouth piece;
- Put the mains switch in position 'I or II' to let your hot air gun operate:
"I" = 50 degrees, air flow 250-500 l/min.
"II" = 50-650 degrees, air flow 250-500 l/min.
"0" = Off

Temperature and airflow settings (Fig. B)

- Turn switch to I or II, and the heat gun will start.
- Turn switch to II.
 - Select the desired temperature range using the adjustment buttons (7, 8).
 - The temperature can be adjusted in 10°C increments from 50°C - 650°C.
 - The flasher (4.2) will keep flashing before the output temperature reaches the desired temperature.
 - Select the desired air flow level using the adjustment buttons (9, 10).
- Turn switch to I, the temperature is fixed at 50°C for cooling down.

Pre-set mode selection (Fig. B, C, D)

- 4 pre-set modes are available for quick selection of temperature and airflow setting for most frequent and defined applications.
 - Turn on the tool.
 - Click the mode selection button (6) to select one of available pre-sets.

Pre-set mode input (Fig. B, C, D)

- Select one pre-set mode (see pre-set mode selection)
- Set desired temperature and airflow by clicking buttons (7, 8, 9, 10)(see temperature and airflow settings).

During the process, the symbol of pre-set Input (4.1) keeps flashing.

- Then keep the storage button (5) pressed for 2 seconds until the symbol of pre-set Input (4.1) disappears.

The new temperature and airflow setting is stored into the pre-set mode for quick selection.

TIP! If you are not sure about the correct setting, start with a low temperature setting and gradually increase the temperature until you achieve optimum results.

When the temperature exceeds 650°C, the heating element switches off automatically. However, the fan continues to run. When the heating element has cooled down to operating temperature, it switches on again.

| Setting | Applications |
|---------|--|
| I | <ul style="list-style-type: none"> • Drying paint, varnish color shade samples, filler, adhesives, construction joints and stucco forms, lacquer • Drying wet timber prior to filling • Removing stickers • Joining adhesives-large-surface gluing with contact adhesives, activation of pressure-sensitive adhesives, acceleration of bonding processes, releasing of bonding points as well as releasing or bonding of edge band or veneer. • Waxing and de-waxing • Shrinking PVC wrapping and insulation tubes • Quickly drying of appliances which have become wet • Defrosting of icy stairs and steps, door locks, trunk lids, car doors or water pipes, as well as for defrosting refrigerators and ice boxes |
| II | <ul style="list-style-type: none"> • Welding of thermoplastic polymer, flooring materials of PVC and linoleum, PVC-coated fabric, tarpaulins and foils • Applying heat shrinking tubes • Shrinkwrappers • Bending plastic pipes and sheets • Soldering plumbing joints, tin, special silver solder, SMD elements, cable lugs • Loosening rusted or tightly fastened nuts and bolts • Removing old and even thick coatings of oil paint, lacquer, varnish, synthetic plaster and vinyl carpeting • Repairing of ski's, surf-boards and other sports goods • Repairing finishing layers: enamel of bath and household appliances; applying epoxy powder coverlayers • Disinfection-With hot air of 600°C, you can quickly rid animal sties/stables of bacteria. Woodworm infestation can be controlled (Caution: Danger of fire! Do not heat up the wooden surface excessively). |

Switching off:
Slide the switch to 0.

Tip: The optimal setting depends on the material and can be determined by testing the appliances on a small part of the workpiece.

Flat rear side (Fig. E)
In between usage, the machine can easily be placed on its flat rear side (11). This prevents any hot area from the machine getting into contact with other surfaces.

The flat rear side (11) also allows the machine to be used in upright stationary mode. After usage, always place the machine on its flat rear side (11). This allows the machine to cool down safely.

To reduce the cooling time, switch the tool to position I which is at the lowest air temperature and adjust the air flow to Max. and let it run for a few minutes.

Use of accessories (Fig. F)
Fishtail nozzle (12)
Distributes air equally over flat wide area for example when drying big flat surfaces

Reduction nozzle (13)
Distributes air equally over small areas for example when welding and shrink sleeving

Glass protection nozzle (14)
Deflects air away from glass for example when stripping paint in window frames or softening putty.



Do not strip metal window frames, as the heat may be conducted onto the glass and crack it. When stripping other window frames, use the glass protection nozzle.

Spoon reflector nozzle (15)

Distributes air around the material for example when soldering pipes

Scraper (16)

The scraper can be used for stripping paint and varnish on straight surfaces, 90° corners and round corners.



Avoid collecting paint on the scraper accessory, as it may ignite. If necessary, carefully remove paint debris from the scraper accessory using a knife.

4. MAINTENANCE



Always disconnect the apparatus before carrying out inspection or cleaning. Never use water or other liquids to clean the electrical parts of the hot air gun.

- Never use easy inflammable liquids for cleaning the hot air gun, especially for the mouthpiece.
- Regular maintenance of your hot air gun prevents unnecessary problems. Keep the ventilation slots of the hot air gun clean to prevent overheating.

Troubleshooting

In case the hot air gun does not work well, we give you subjoined some possible causes and their solutions.

- **The engine gets overheated.**
 - The ventilation slots of the hot air gun are dirty.
Clean the ventilation slots.
- **The hot air gun does not start when it is switched on.**
 - Interruption in the electrical circuit.
Check the mains lead and the mains plug.
 - The switch is defective.
Pull the mains lead out of the wall socket, because there is a chance of fire risk! Have the hot air gun repaired at your local dealer.
- **The engine does not work, but it does heat.**
 - Interruption in the electrical circuit.
Pull the mains lead out of the wall socket, because there is a chance of fire risk! Have the hot air gun repaired at your local dealer.

ENVIRONMENT



Faulty and/or discarded electrical or electronic apparatus have to be collected at the appropriate recycling locations.

Only for EC countries

Do not dispose of power tools into domestic waste. According to the European Guideline 2012/19/EC for Waste Electrical and Electronic Equipment and its implementation into national right, power tools that are no longer usable must be collected separately and disposed of in an environmentally friendly way.

WARRANTY

VONROC products are developed to the highest quality standards and are guaranteed free of defects in both materials and workmanship for the period lawfully stipulated starting from the date of original purchase. Should the product develop any failure during this period due to defective material and/or workmanship then contact VONROC directly.

The following circumstances are excluded from this guarantee:

- Repairs and/or alterations have been made or attempted to the machine by unauthorized service centers;
- Normal wear and tear;
- The tool has been abused, misused or improperly maintained;
- Non-original spare parts have been used.

This constitutes the sole warranty made by company either expressed or implied. There are no other warranties expressed or implied which extend beyond the face hereof, herein, including the implied warranties of merchantability and fitness for a particular purpose. In no event shall VONROC be liable for any incidental or consequential damages. The dealers remedies shall be limited to repair or replacement of nonconforming units or parts.

The product and the user manual are subject to change. Specifications can be changed without further notice.

1. SICHERHEITSANWEISUNGEN

Lesen Sie die beiliegenden Sicherheitsanweisungen, die zusätzlichen Sicherheitsanweisungen sowie diese Bedienungsanleitung sorgfältig durch.

Bei Nichtbeachten der Sicherheitsanweisungen und der Bedienungsanleitung kann es zu einem Stromschlag, einem Brand und/oder schweren Verletzungen kommen. Bewahren Sie die Sicherheitsanweisungen und die Bedienungsanleitung zur künftigen Bezugnahme sicher auf.

Folgende Symbole werden im Benutzerhandbuch oder auf dem Produkt verwendet:



Lebens- und Verletzungsgefahr und Gefahr von Beschädigungen am Gerät bei Nichteinhaltung der Sicherheitsvorschriften in dieser Anleitung.



Weist auf Stromschlag hin.

ALLGEMEINE SICHERHEITSHINWEISE



ACHTUNG! Lesen Sie alle Sicherheitshinweise und Anweisungen. Fehler bei der Einhaltung der nachstehend aufgeführten Anweisungen können elektrischen Schlag, Brand und/oder schwere Verletzungen verursachen.

Bewahren Sie diese Anweisungen gut auf.

Der nachfolgend verwendete Begriff „Elektrowerkzeug“ bezieht sich auf netzbetriebene Elektrowerkzeuge (mit Netzkabel) und auf akkubetriebene Elektrowerkzeuge (ohne Netzkabel).

1) Arbeitsplatz

- a) **Halten Sie Ihren Arbeitsbereich sauber und aufgeräumt.** Unordnung und unbeleuchtete Arbeitsbereiche können zu Unfällen führen.
- b) **Arbeiten Sie mit dem Gerät nicht in explosionsgefährdeter Umgebung, in der sich brennbare Flüssigkeiten, Gase oder Staub befinden.** Elektrowerkzeuge erzeugen Funken, die den Staub oder die Dämpfe entzünden können.
- c) **Halten Sie Kinder und andere Personen während der Benutzung des Elektrowerkzeugs fern.** Bei Ablenkung können Sie die Kontrolle über das Gerät verlieren.

2) Elektrische Sicherheit

- a) **Der Anschlussstecker des Gerätes muss in die Steckdose passen. Der Netzstecker darf in keener Weise verändert werden. Verwenden Sie keine Adapterstecker gemeinsam mit schutzgeerdeten Geräten. Unveränderte Netzstecker** und passende Steckdosen verringern das Risiko eines elektrischen Schlages.
- b) **Vermeiden Sie Körperkontakt mit geerdeten Oberflächen, wie von Rohren, Heizungen, Herden und Kühlschränken.** Es besteht ein erhöhtes Risiko durch elektrischen Schlag, wenn Ihr Körper geerdet ist.
- c) **Halten Sie das Gerät von Regen oder Nässe fern.** Das Eindringen von Wasser in ein Elektrogerät erhöht das Risiko eines elektrischen Schlages.
- d) **Zweckentfremden Sie das Netzkabel nicht, um das Gerät zu tragen, aufzuhängen oder um den Netzstecker aus der Steckdose zu ziehen. Halten Sie das Netzkabel fern von Hitze, Öl, scharfen Kanten oder sich bewegendem Geräteteilen.** Beschädigte oder verwickelte Netzkabel erhöhen das Risiko eines elektrischen Schlages.
- e) **Wenn Sie mit einem Elektrowerkzeug im Freien arbeiten, verwenden Sie nur Verlängerungskabel, die auch für den Außenbereich zugelassen sind.** Die Anwendung eines für den Außenbereich geeigneten Verlängerungskabels verringert das Risiko eines elektrischen Schlages
- f) **Wenn sich Arbeiten mit einem Elektrowerkzeug in feuchten Umgebungen nicht vermeiden lassen, verwenden Sie eine Stromversorgung mit einer Fehlerstrom-Schutzeinrichtung (RCD).** Durch die Verwendung einer RCD wird die Gefahr eines elektrischen Schlages verringert.

3) Sicherheit von Personen

- a) **Seien Sie aufmerksam. Achten Sie darauf, was Sie tun, und gehen Sie mit Vernunft an die Arbeit mit einem Elektrowerkzeug. Benutzen Sie das Gerät nicht, wenn Sie müde sind oder unter dem Einfluss von Drogen, Alkohol oder Medikamenten stehen.** Ein Moment der Unachtsamkeit beim Gebrauch des Gerätes kann zu ernsthaften Verletzungen führen.
- b) **Tragen Sie persönliche Schutzausrüstung und immer eine Schutzbrille.** Das Tragen persönlicher Schutzausrüstung, wie Staubmaske, rutschfeste Sicherheitsschuhe, Schutzhelm oder Gehörschutz, je nach Art und Einsatz des Elektrowerkzeuges,

verringert das Risiko von Verletzungen.

- c) **Vermeiden Sie eine unbeabsichtigte Inbetriebnahme. Vergewissern Sie sich, dass der Schalter in der Position „AUS(0)“ ist, bevor Sie den Netzstecker in die Steckdose stecken.** Wenn Sie beim Tragen des Geräts den Finger am Schalter haben oder das Gerät eingeschaltet an die Stromversorgung anschließen, kann dies zu Unfällen führen.
- d) **Entfernen Sie Einstellwerkzeuge oder Schraubenschlüssel, bevor Sie das Gerät einschalten.** Ein Werkzeug oder Schlüssel, der sich in einem drehenden Geräteteil befindet, kann zu Verletzungen führen.
- e) **Überschätzen Sie sich nicht. Sorgen Sie für einen sicheren Stand und halten Sie jederzeit das Gleichgewicht.** Dadurch können Sie das Gerät in unerwarteten Situationen besser kontrollieren.
- f) **Tragen Sie geeignete Kleidung. Tragen Sie keine weite Kleidung oder Schmuck. Halten Sie Haare, Kleidung und Handschuhe fern von sich bewegenden Teilen.** Lockere Kleidung, Schmuck oder lange Haare können von sich bewegenden Teilen erfasst werden.
- g) **Wenn Staubabsaug- und -auffangeinrichtungen montiert werden können, vergewissern Sie sich, dass diese angeschlossen sind und richtig verwendet werden.** Das Verwenden dieser Einrichtungen verringert Gefährdungen durch Staub.
- h) **Achten Sie darauf, nicht durch häufigen Gebrauch von Werkzeugen nachlässig zu werden und die Prinzipien zum sicheren Umgang mit den Werkzeugen zu ignorieren.** Eine unachtsame Handlung kann innerhalb von Sekundenbruchteilen schwere Verletzungen verursachen.
- 4) Sorgfältiger Umgang und Gebrauch von Elektrowerkzeugen**
- a) Überlasten Sie das Gerät nicht. Verwenden **Sie für Ihre Arbeit das dafür bestimmte Elektrowerkzeug.** Mit dem passenden Elektrowerkzeug arbeiten Sie besser und sicherer im angegebenen Leistungsbereich.
- b) **Benutzen Sie kein Elektrowerkzeug, dessen Schalter defekt ist.** Ein Elektrowerkzeug, das sich nicht mehr ein- oder ausschalten lässt, ist gefährlich und muss repariert werden.
- c) **Ziehen Sie den Netzstecker aus der Steckdose, bevor Sie Geräteeinstellungen vornehmen, Zubehörteile wechseln oder das Gerät weglegen.** Diese Vorsichtsmaßnahme verhindert den unbeabsichtigten Start des Geräts.
- d) **Bewahren Sie unbenutzte Elektrowerkzeuge außerhalb der Reichweite von Kindern auf. Lassen Sie Personen das Gerät nicht benutzen, die mit diesem nicht vertraut sind oder diese Anweisungen nicht gelesen haben.** Elektrowerkzeuge sind gefährlich, wenn Sie von unerfahrenen Personen benutzt werden.
- e) **Pflegen Sie das Gerät mit Sorgfalt. Kontrollieren Sie, ob bewegliche Geräteteile einwandfrei funktionieren und nicht klemmen, ob Teile gebrochen oder so beschädigt sind, dass die Funktion des Gerätes beeinträchtigt ist. Lassen Sie beschädigte Teile vor dem Einsatz des Gerätes reparieren.** Viele Unfälle haben ihre Ursache in schlecht gewarteten Elektrowerkzeugen.
- f) **Halten Sie Schneidwerkzeuge scharf und sauber.** Sorgfältig gepflegte Schneidwerkzeuge mit scharfen Schneidkanten verklemmen sich weniger und sind leichter zu führen.
- g) **Verwenden Sie Elektrowerkzeug, Zubehör, Einsatzwerkzeuge usw. entsprechend diesen Anweisungen und so, wie es für diesen speziellen Gerätetyp vorgeschrieben ist. Berücksichtigen Sie dabei die Arbeitsbedingungen und die auszuführende Tätigkeit.** Der Gebrauch von Elektrowerkzeugen für andere als die vorgesehenen Anwendungen kann zu gefährlichen Situationen führen.
- h) **Halten Sie Griffe und Greifflächen immer trocken, sauber und frei von Öl und Fett.** Rutschige Griffe und Greifflächen verhindern in unerwarteten Situationen den sicheren Umgang mit dem Werkzeug und die richtige Kontrolle darüber.
- 5) Umgang mit Akkuwerkzeugen**
- a) **Zum Laden ist ausschließlich das vom Hersteller angegebene Ladegerät zu verwenden.** Ein Ladegerät, das für eine Art von Akkus geeignet ist, kann bei Verwendung mit einer anderen Art von Akku Brandgefahr verursachen.
- b) **Elektrowerkzeuge dürfen nur mit speziell dazu bestimmten Akkus verwendet werden,** da bei der Verwendung anderer Akkus Verletzungs- und Brandgefahr entstehen kann.
- c) **Wenn der Akku nicht in Gebrauch ist, ist er von Büroklammern, Münzen, Schlüssel, Nägel, Schrauben und anderen kleinen Metallobjekten fernzuhalten, die eine Verbindung zwischen den Polen bilden können.** Kurzschließen der Pole

- kann Brand oder Verbrennungen verursachen.
- d) **Bei falschem Umgang mit dem Akku kann Flüssigkeit aus dem Akku austreten. Die Berührung dieser Flüssigkeit ist zu vermeiden. Bei Berührung den betroffenen Körperteil mit Wasser abspülen. Bei Berührung der Flüssigkeit mit den Augen muss zusätzlich** ärztliche Hilfe gerufen werden. Die Akkuflüssigkeit kann Reizungen oder Verbrennungen verursachen.
- e) **Verwenden Sie keinesfalls Akkus und Werkzeuge, die beschädigt oder verändert wurden.** Beschädigte oder veränderte Akkus können ein unvorhersehbares Verhalten zeigen, das zu Feuer, Explosionen oder Verletzungsgefahren führt.
- f) **Setzen Sie Akkus oder Werkzeuge keinem Feuer oder übermäßigen Temperaturen aus.** Feuer oder Temperaturen über 130 °C können zu Explosionen führen. HINWEIS: Die Temperaturangabe „130 °C“ kann durch die Temperaturangabe „265 °F“ ersetzt werden.
- g) **Beachten Sie alle Hinweise zum Aufladen und laden Sie Akkus oder Werkzeuge nicht außerhalb der in der Anleitung angegebenen Temperaturbereiche auf.** Unsachgemäßes Aufladen oder Aufladen bei Temperaturen außerhalb des angegebenen Bereichs kann den Akku schädigen und die Brandgefahr erhöhen.
- 6) Service**
- a) **Lassen Sie Ihre Werkzeuge durch einen qualifizierten Reparaturtechniker ausschließlich mit identischen Ersatzteilen warten.** So lässt sich eine gleich bleibende Sicherheit des Elektrowerkzeugs gewährleisten.
- b) **Beschädigte Akkus dürfen keinesfalls gewartet werden.** Die Wartung von Akkus darf nur vom Hersteller oder von Vertragswerkstätten durchgeführt werden.

ZUSÄTZLICHE SICHERHEITSHINWEISE FÜR HEISSLUFTGEBLÄSE

Vor dem Einsatz des geräts ist folgendes zu prüfen:



Sicherstellen, dass der auf der Heißluftpistole angegebene Spannungswert mit dem Wert der Versorgungsspannung übereinstimmt. Netzkabel und Netzstecker auf ordnungsgemäßen Zustand prüfen: Kabel und Stecker müssen ausreichend groß bemessen sein; das Kabel darf nicht verknäuelte oder beschädigt sein.

- Es sollten keine langen Verlängerungskabel verwendet werden.
- Das Gerät darf nicht in feuchter Umgebung verwendet werden.
- Das metallische Mundstück wird heiß. Deshalb aufpassen und das metallische Mundstück nicht berühren.
- Eine Beschädigung des Heizelements vermeiden. Das Mundstück weder verschließen noch blockieren.
- Das Gerät im eingeschalteten Zustand nicht unbeaufsichtigt lassen.
- Das Gerät darf nicht zum Trocknen von Haaren oder menschlichen Körperteilen verwendet werden.
- Das Gerät darf nicht in einem Bad, über Waserbecken oder in Räumen, in denen leicht entflammare Flüssigkeiten gehandhabt werden, verwendet werden.



Dieses Gerät funktioniert mit einer Temperatur von 600 Grad, ohne dass sichtbare Anzeichen dieser Temperatur vorhanden sind (keine Flammen); den noch besteht Feuergefahr. Auf den aus dem Mundstück austretenden Heißluftstrom aufpassen. Der Heißluftstrom kann Verbrennungen hervorrufen.

Während des Einsatzes des geräts

- Während des Einsatzes der Heißluftpistole können kurzzeitig Dämpfe und Gase freigesetzt werden. Dies kann gesundheitsgefährlich sein. Insbesondere für Asthmatiker kann dies problematisch werden.
- Vor dem Anschließen des Steckers an die Netzsteckdose ist sicherzustellen, dass sich der Schalter in der Stellung „0“ befindet.
- Das Netzkabel stets vom Mundstück der Heißluftpistole fernhalten.
- Kinder und Tiere während des Einsatzes stets vom Gerät fernhalten.

Das Gerät in nachstehende Fällen sofort Ausschalten bei:

- Wenn Stecker bzw. Kabel beschädigt sind.
- Wenn der Schalter beschädigt ist.
- Wenn durch eine verbrannte Isolierung Rauch aus der Heißluftpistole austritt bzw. wenn es verbrannt riecht.

Elektrische Sicherheit

Beachten beim Benutzen von Elektromaschinen immer die örtlichen Sicherheitsvorschriften bezüglich Feuerrisiko, Elektroschock und Verletzung. Lesen Sie außer den folgenden Hinweisen ebenfalls die Sicherheitsvorschriften im einschlägigen Sonderteil.



Überprüfen Sie immer, ob Ihre Netzspannung der des Typenschildes entspricht.



Gerät der Schutzklasse II - schutzisoliert - kein Schutzkontakt erforderlich.

2. ANGABEN ZUM WERKZEUG

Verwendungszweck

Diese Heißluftpistole ist für zahlreiche Anwendungen vorgesehen, darunter Kunststoffschweißen, Verformen von Werkstoffen, Schrumpfschlauchverfahren, Entfernen von Materialresten oder Trocknen von Farbe. Sie eignet sich auch zum Lösen von Klebeverbindungen und dem Auftauen von Wasserleitungen.

TECHNISCHE DATEN

| | |
|--------------------|----------------|
| Model No. | HA502AC |
| Spannung | 220-240 V~ |
| Frequenz | 50/60 Hz |
| Leistungsaufnahme | 2000 W |
| Gewicht | 1,0 kg |
| IP Klasse | IP 20 |
| Position I | |
| Luftdurchsatz | 250-500 l/min |
| Lufttemperatur | 50 °C |
| Position II | |
| Luftdurchsatz | 250-500 l/min |
| Lufttemperatur | 50-650 °C |

Vibrationsintensität

Die in dieser Bedienungsanleitung angegebene Vibrationsintensität wurde mit einem standardisierten Test gemäß EN60745 gemessen. Anhand dieser Größe können Werkzeuge miteinander verglichen werden. Außerdem eignet sich diese Größe für eine erste Beurteilung der Vibrationsbelastung bei Verwendung des Werkzeugs für die angegebenen Anwendungszwecke.

- Bei Verwendung des Werkzeugs für andere Anwendungen oder mit anderem oder unzureichend gewartetem Zubehör kann sich die Vibrationsbelastung erheblich erhöhen.
- Wenn das Werkzeug ausgeschaltet ist, oder wenn es eingeschaltet ist, jedoch nicht genutzt wird, kann sich die Vibrationsbelastung erheblich verringern.

Schützen Sie sich vor den Auswirkungen der Vibration durch Wartung des Werkzeugs und des Zubehörs, halten Sie Ihre Hände warm, und organisieren Sie Ihren Arbeitsablauf.

BESCHREIBUNG

Die Buchstaben und Ziffern im folgenden Text verweisen auf die Abbildungen auf den Seiten 2 bis 3.

Abb. A-C

1. Schalter
2. Lüftungsschlitze
3. Austrittsdüse
4. LCD-Digitalanzeige
- 4.1 Voreingestellter Eingangswert
- 4.2 Blinker
- 4.3 Anzeige des voreingestellten Modus
- 4.4 Temperaturanzeige
- 4.5 Luftstromanzeige
5. Speichern-Taste
6. Modus-Auswahltaste
7. Einstelltaste für Temperatur-
8. Einstelltaste für Temperatur+
9. Einstelltaste für Luftstrom+
10. Einstelltaste für Luftstrom-
11. Flache Rückseite
12. Fischeschwanzdüse
13. Reduzierdüse
14. Glasschutzdüse
15. Löffelreflektordüse
16. Schaber

3. BETRIEB

Die Heißluftpistole kann für folgende einsatzzwecke verwendet werden:

- Installateurarbeiten wie Rohrverbindungen, Löten, Rohrbiegen.
- Entfernen von Farben, Anstrichen und Lacken ohne Brandgefahr.
- Schnelles Trocknen von nass gewordenen Geräten.
- Trocknen von Oberflächen für schnelle Reparatur.

- Sauberes Entfernen von Siebdruckaufklebern.
- Anbringen von PVC-Etiketten.
- Nach dem Aufkleben von PVC-Materialien entstandene Blasen können nach dem Anwärmen geglättet werden.
- Problemloses Entfernen von Vinylböden.
- Formen von Kunststoffen mit niedriger Temperatur (400 Grad) wie z.B. Polyethylen und PVC.
- Formen von Kunststoffen mit hoher Temperatur (600 Grad) wie z.B. Akryl und Plexiglas.
- Schmelzende Kunststoffe wie z.B. Matten und Folien mit PVC-Schicht.
- Aufbringen von Schrumpfschläuchen.
- Schrumpffolien.
- Auftauen von Leitungen und Motoren.
- Reparieren von Deckschichten: Emaille von Bad- und Haushaltsgeräten; aufbringen von Epoxidpulverbeschichtungen.
- Reparieren von Skibrettern, Surfboards und anderen Sportgeräten.
- Lösen von überzogenen Schrauben und feststehenden Verbindungen.

Betrieb (Abb. A)

Sie können manuell mit dieser Heißluftpistole arbeiten oder sie zum Arbeiten senkrecht hinstellen.

- Kontrollieren Sie ob der Netzschalter in der "0" Stand steht bevor Sie den Netzstecker in der Wandsteckdose stecken.
- Halten Sie die Zuleitung immer aus dem Heißluftstrom und vom Mundstück weg.
- Stellen Sie den Netzschalter auf "I", "II" oder "III" Ihre Heißluftpistole funktioniert:
 "I" = 50 Grad, Luftstrom 250-500 l/min.
 "II" = 50-650 Grad, Luftstrom 250-500 l/min.
 "0" = Aus

Temperatur- und Luftstromereinstellungen (Abb. B)

- Drehen Sie den Schalter auf I oder II, um die Heißluftpistole einzuschalten.
- Drehen Sie den Schalter auf II.
 - Wählen Sie den gewünschten Temperaturbereich mit den Einstelltasten (7, 8).
 - Die Temperatur kann in 10°C-Schritten von 50°C bis 650°C eingestellt werden.
 - Der Blinker (4.2) blinkt so lange, bis die ausgegebene Temperatur die gewünschte Temperatur erreicht.
 - Wählen Sie den gewünschten Luftstrom mit den Einstelltasten (9, 10).

- Drehen Sie den Schalter auf I, die Temperatur ist zum Abkühlen fest auf 50°C eingestellt.

Auswahl des voreingestellten Modus (Abb. B, C, D)

- Es stehen 4 voreingestellte Modi zur Verfügung, mit denen die Temperatur- und Luftstromereinstellung für häufige und bestimmte Anwendungen schnell auswählbar ist.
 - Schalten Sie das Gerät ein.
 - Klicken Sie auf die Modus-Auswahl Taste (6), um eine der verfügbaren Voreinstellungen auszuwählen.

Eingangswert für den voreingestellten Modus (Abb. B, C, D)

- Wählen Sie einen voreingestellten Modus (siehe Auswahl des voreingestellten Modus).
- Stellen Sie die gewünschte Temperatur und den Luftstrom über die Tasten (7, 8, 9, 10) ein (siehe Temperatur- und Luftstromereinstellungen). Während des Vorgangs blinkt das Symbol des voreingestellten Eingangswerts (4.1) weiter.
- Halten Sie dann die Speichern-Taste (5) 2 Sekunden lang gedrückt, bis das Symbol für den voreingestellten Eingangswert (4.1) verschwindet. Die neue Temperatur- und Luftstromereinstellung wird im voreingestellten Modus gespeichert, um eine schnelle Auswahl zu ermöglichen.

| Einstellung | Anwendungen |
|-------------|--|
| I | <ul style="list-style-type: none"> • Trocknen von Farben, Lackfarbtonmustern, Füllstoffen, Klebstoffen, Fugen und Stuckformen, Lacken • Trocknen von feuchtem Holz vor dem Füllen • Entfernen von Aufklebern • Fügen von Klebstoffen - Großflächiges Kleben mit Kontaktklebstoffen, Aktivieren von Haftklebern, Beschleunigen von Klebevorgängen, Lösen von Klebepunkten sowie Lösen oder Verkleben von Kantenband oder Furnier • Wachsen und Entwachsen • Schrumpfen von PVC-Ummantelungen und Isolierschläuchen • Schnelle Trocknung von feucht gewordenen Geräten • Auftauen von vereisten Treppen und Stufen, Türschlössern, Kofferraumdeckeln, Autotüren oder Wasserleitungen sowie zum Auftauen von Kühlschränken und Eisbehältern |

| | |
|----|--|
| II | <ul style="list-style-type: none"> ▪ Schweißen von thermoplastischen Polymeren, Bodenbelägen aus PVC und Linoleum, PVC-beschichtetem Gewebe, Planen und Folien ▪ Anwendung von Schrumpfschläuchen ▪ Schrumpffolienwickler ▪ Biegen von Kunststoffrohren und -platten ▪ Lötstellen für Klempnerarbeiten, Zinn, Spezialsilberlot, SMD-Elemente, Kabelschuhe ▪ Lösen von verrosteten oder fest angezogenen Muttern und Schrauben ▪ Entfernen alter und auch dicker Schichten von Ölmalen, Lacken, Kunstgipsen und Vinylbodenbelägen ▪ Reparatur von Skiern, Surfbrettern und anderen Sportartikeln ▪ Reparatur von Deckschichten: Lackierung von Bad- und Haushaltsgeräten; Auftragen von Epoxidpulver-Decklagen ▪ Desinfektion - Mit Heißluft von 600°C lassen sich Tierställe schnell von Bakterien befreien, Holzwurmbefall kann kontrolliert werden. (Achtung: Brandgefahr! Holzoberflächen nicht zu stark erhitzen.) |
|----|--|

TIPP! Wenn Sie sich nicht sicher sind, ob die richtige Einstellung gewählt wurde, beginnen Sie mit einer niedrigen Temperatur und erhöhen Sie diese schrittweise, bis Sie optimale Ergebnisse erzielen.

Bei Temperaturen über 650°C schaltet sich das Heizelement automatisch aus. Der Ventilator läuft jedoch weiter. Wenn das Heizelement auf Betriebstemperatur abgekühlt ist, schaltet es sich wieder ein.

Ausschalten:

Den Schalter auf 0 stellen.

Tipp: Um ein optimales Ergebnis zu bekommen, alle Geräte an einem kleinen Teil des Werkstücks ausprobieren.

Flache Rückseite (Abb.E)

Zwischen den einzelnen Arbeitsgängen kann das Gerät praktisch auf der flachen Rückseite(11) abgestellt werden. Das verhindert, dass heiße Stellen in Kontakt mit Oberflächen kommen.

Dank der flachen Rückseite(11) können Sie das Gerät auch zur Verwendung hinstellen. Stellen Sie

das Gerät nach der Verwendung immer auf der flachen Rückseite(11) ab. So kann das Gerät auf sichere Weise abkühlen.

Zum Verkürzen der Abkühlzeit schalten Sie das Werkzeug auf Position I mit der niedrigsten Lufttemperatur; stellen Sie dann den Luftstrom auf Max. ein und lassen Sie ihn einige Minuten laufen.

Verwendung des Zubehörs (Abb. F)

Breitschlitzdüse (12)

Verteilt die Luft gleichmäßig über ebene Bereiche, z.B. beim Trocknen großer Flächen.

Reduzierdüse (13)

Verteilt die Luft gleichmäßig auf kleine Flächen, z.B. beim Schweißen und Schrumpfen von Schläuchen

Glasschutzdüse (14)

Lenkt Luft von Glas weg, z. B. beim Entfernen von Farbe von Fensterrahmen oder beim Aufweichen von Kitt.



Keine Metallfensterrahmen bearbeiten, da die Wärme auf das Glas übertragen werden kann, wodurch es zerbrechen kann. Verwenden Sie beim Bearbeiten anderer Fensterrahmenmaterialien die Glasschutzdüse.

Löffelreflektordüse (15)

Verteilt Luft um das Material herum, z.B. beim Löten von Rohren

Schaber (16)

Der Schaber dient zum Entfernen von Farbe und Lack auf geraden Oberflächen, in 90°-Ecken und runden Ecken.



Verhindern Sie, dass sich Farbreste auf dem Schabierzubehör ansammelt, da sie sich entzünden können. Falls erforderlich, Farbreste vorsichtig mit einem Messer vom Schabierzubehör entfernen.

4. WARTUNG



Vor der Durchführung von Inspektions- oder Reinigungsarbeiten das Gerät immer vom Netz trennen. Die elektrischen Komponenten der Heißluftpistole nie mit Wasser oder anderen Flüssigkeiten reinigen.

- Die Heißluftpistole und insbesondere das Mundstück nie mit leicht entflammaren Flüssigkeiten reinigen.
- Durch regelmäßige Wartung der Heißluftpistole lassen sich unnötige Probleme vermeiden. Die Lüftungsschlitze der Heißluftpistole stets sauber halten, damit sich die Pistole nicht überhitzen kann.

Störungen

Im Fall das das Gerät nicht gut funktioniert, geben wir jetzt einige mögliche Ursachen und Lösungen.

- **Der Motor ist überhitzt**
 - Die Lüftungsschlitze der Heißluftpistole sind verschmutzt.
Die Lüftungsschlitze reinigen.
- **Die Heißluftpistole startet nicht, wenn sie eingeschaltet wird**
 - Unterbrechung im Stromkreis.
Netz Kabel und Netzstecker prüfen.
 - Der Schalter ist defekt.
Den Netzstecker aus der Steckdose ziehen, da Feuergefahr besteht! Die Heißluftpistole vom lokalen Händler reparieren lassen.
- **Der Motor läuft nicht, aber er heizt**
 - Unterbrechung im Stromkreis.
Den Netzstecker aus der Steckdose ziehen, da Feuergefahr besteht! Die Heißluftpistole vom lokalen Händler reparieren lassen.

UMWELTSCHUTZ



Schadhafte und/oder zu entsorgende elektrische oder elektronische Werkzeuge und Geräte müssen an den dafür vorgesehenen Recycling-Stellen abgegeben werden.

Nur für EG-Länder

Entsorgen Sie Elektrowerkzeuge nicht über den Hausmüll. Entsprechend der EU-Richtlinie 2012/19/EG über Elektro- und Elektronik-Altgeräte sowie der Umsetzung in nationales Recht müssen Elektrowerkzeuge, die nicht mehr im Gebrauch sind, getrennt gesammelt und umweltschonend entsorgt werden.

GARANTIE

VONROC-Produkte werden nach den höchsten Qualitätsstandards entwickelt und sind für den gesetzlich festgelegten Zeitraum, ausgehend von dem ursprünglichen Kaufdatum, garantiert frei von Fehlern in Material und Ausführung. Sollte das Produkt in diesem Zeitraum aufgrund von Material- und/oder Verarbeitungsmängeln Fehler aufweisen, wenden Sie sich bitte direkt an VONROC Kundendienst.

Folgende Umstände sind von der Garantie ausgeschlossen:

- Reparaturen und oder Änderungen an der Maschine, die durch nicht-autorisierte Servicestellen vorgenommen oder versucht wurden.
- Normale Abnutzung und Verschleiß.
- Das Werkzeug wurde übermäßig beansprucht, missbräuchlich verwendet oder falsch gewartet.
- Es wurden keine Original-Ersatzteile verwendet.

Dies stellt die einzige Gewährleistung des Unternehmens dar, sowohl ausdrücklich als auch implizit. Es gibt keine anderen ausdrücklichen oder stillschweigenden Garantien, die über das hier Genannte hinausgehen, einschließlich der stillschweigenden Garantien der Marktgängigkeit oder Eignung für einen bestimmten Zweck. In keinem Fall ist VONROC haftbar für Neben- oder Folgeschäden. Die Rechtsmittel des Händlers beschränken sich auf Reparatur oder Ersatz fehlerhafter Einheiten oder Teile.

Am Produkt und am Benutzerhandbuch können Änderungen vorgenommen werden. Die technischen Daten können sich ohne Vorankündigung ändern.

1. VEILIGHEIDSVOORSCHRIFTEN

Lees de bijgesloten veiligheidswaarschuwingen, de aanvullende veiligheidswaarschuwingen en de instructies. Het niet opvolgen van de veiligheidswaarschuwingen kan elektrische schokken, brand en/of ernstig letsel tot gevolg hebben. Bewaar de veiligheidswaarschuwingen en instructies als naslagwerk voor later.

De volgende symbolen worden gebruikt in de gebruikershandleiding of op het product:



Gevaar voor lichamelijk letsel of materiele schade wanneer de instructies in deze handleiding niet worden opgevolgd



Gevaar voor elektrische schok.

ALGEMENE VEILIGHEIDSVOORSCHRIFTEN



WAARSCHUWING! Lees alle veiligheidswaarschuwingen en alle instructies. Het niet opvolgen van onderstaande instructies kan leiden tot een elektrische schok, brand en/of ernstig persoonlijk letsel.

Bewaar deze instructies.

De term "elektrisch gereedschap" in onderstaande waarschuwingen heeft betrekking op zowel apparatuur met een vaste elektriciteitskabel als op apparatuur met een accu (draadloze apparatuur).

1) Werkgebied

- Zorg voor een opgeruimde en goed verlichte werkomgeving.** Rommelige en donkere werkomgevingen leiden tot ongelukken
- Gebruik elektrisch gereedschap nooit in een omgeving waar explosiegevaar bestaat, zoals in de nabijheid van ontvlambare vloeistoffen, gassen, dampen of andere stoffen.** Elektrische gereedschappen kunnen vonken veroorzaken, die deze stoffen tot ontbranding kunnen brengen.
- Wanneer u elektrisch gereedschap gebruikt, houd dan kinderen en omstanders op afstand.** Wanneer u wordt afgeleid, kunt u de controle over het gereedschap verliezen.

2) Elektrische veiligheid

- Stekkers van elektrische gereedschappen moeten probleemloos passen op het stopcontact. Breng nooit wijzigingen aan**

in of aan de stekker. Gebruik geen adapters voor geaarde elektrische gereedschappen.

Standaardstekkers en passende stopcontacten verkleinen de kans op een elektrische schok.

- Voorkom lichamelijk contact met geaarde oppervlakken van bijvoorbeeld pijpen, leidingen, radiatoren, fornuizen en koelkasten.** Wanneer uw lichaam geaard is, wordt de kans op een elektrische schok groter.
- Stel elektrische gereedschappen nooit bloot aan regen of vocht.** Wanneer er water binnendringt in een elektrisch gereedschap, wordt de kans op een elektrische schok groter.
- Gebruik het snoer niet om het elektrisch gereedschap te dragen, te verplaatsen of de stekker uit het stopcontact te trekken. Bescherm het snoer tegen olie, warmte, scherpe randen en bewegende delen.** Beschadigde of vastzittende snoeren vergroten de kans op een elektrische schok.
- Wanneer u elektrische gereedschappen buiten gebruikt, gebruik dan een verlengkabel die geschikt is voor buitengebruik.** Door een kabel te gebruiken die geschikt is voor buitengebruik, wordt de kans op een elektrische schok kleiner.
- Gebruik een aardlekbeveiliging (RCD) als niet te voorkomen is dat een poortool moet worden gebruikt in een vochtige omgeving.** Gebruik van een RCD vermindert het risico van elektrische schokken.

3) Persoonlijke veiligheid

- Blijf altijd alert, kijk goed wat u doet en gebruik uw gezonde verstand wanneer u een elektrisch gereedschap gebruikt. Gebruik geen elektrische gereedschappen wanneer u moe bent, of drugs, alcohol of medicijnen hebt gebruikt.** Eén moment van onachtzaamheid bij het gebruik van elektrische gereedschappen kan ernstige verwondingen tot gevolg hebben.
- Gebruik persoonlijke beschermingsmiddelen. Draag altijd een veiligheidsbril.** Een gepast gebruik van veiligheidsvoorzieningen, zoals een stof masker, speciale werkschoenen met antislipzolen, een veiligheidshelm en gehoorbescherming verkleinen de kans op persoonlijk letsel.
- Voorkom dat het gereedschap per ongeluk wordt gestart. Zorg dat de schakelaar op de UITpositie staat, voordat u de stekker in het stopcontact steekt.** Draag elektrisch

- gereedschap nooit met uw vinger op de schakelaar en steek ook nooit de stekker van ingeschakelde elektrische gereedschappen in het stopcontact: dit leidt tot ongelukken.
- d) **Verwijder alle instel en andere sleutels uit het elektrisch gereedschap voordat u hem inschakelt.** Instel en andere sleutels aan een ronddraaiend onderdeel van het elektrisch gereedschap kunnen tot verwondingen leiden.
- e) **Zorg dat u nooit uw evenwicht kunt verliezen; houd altijd twee voeten stevig op de vloer.** Hierdoor kunt u het elektrisch gereedschap in onverwachte situaties beter onder controle houden.
- f) **Zorg dat u geschikte kleding draagt. Draag geen loshangende kleding of sieraden. Houd uw haar, kleding en handschoenen uit de buurt van bewegende delen.** Loshangende kleding, sieraden en lang haar kunnen vast komen te zitten in bewegende delen.
- g) **Wanneer er voorzieningen zijn voor de aansluiting van stofafzuiginstallaties, zorg dan dat ze op de juiste wijze worden aangesloten en gebruikt.** Gebruik van deze voorzieningen vermindert de gevaren die door stof worden veroorzaakt.
- h) **Denk niet dat doordat u gereedschap vaak gebruikt, u wel weet hoe het allemaal werkt en dat u de veiligheidsbeginselen voor het gebruik van het gereedschap wel kunt negeren.** Een onbezonnen actie kan in een fractie van een seconde ernstig letsel tot gevolg hebben.
- 4) Gebruik en onderhoud van elektrisch gereedschap**
- a) **Oefen geen overmatige kracht uit op elektrisch gereedschap. Gebruik het juiste gereedschap voor uw specifieke toepassing.** Met het juiste elektrische gereedschap voert u de taak beter en veiliger uit wanneer dit op de snelheid gebeurt waarvoor het apparaat is ontworpen.
- b) **Gebruik nooit elektrisch gereedschap waarvan de AAN/UITschakelaar niet werkt.** Ieder elektrisch gereedschap dat niet kan worden in en uitgeschakeld met de schakelaar is gevaarlijk en moet worden gerepareerd.
- c) **Trek de stekker uit het stopcontact voordat u wijzigingen aanbrengt aan elektrische gereedschappen, accessoires verwisselt of het elektrisch gereedschap opbergt.** Wanneer u zich aan deze preventieve veiligheidsmaatregelen houdt, beperkt u het risico dat het gereedschap per ongeluk wordt gestart.
- d) **Berg elektrisch gereedschap dat niet in gebruik is op buiten bereik van kinderen en laat personen die niet bekend zijn met het gereedschap of deze instructies het apparaat niet gebruiken.** Elektrisch gereedschap is gevaarlijk in de handen van ongeoeffende gebruikers.
- e) **Zorg voor een goed onderhoud van elektrisch gereedschap. Controleer of bewegende delen op de juiste wijze zijn vastgezet. Controleer ook of er geen onderdelen defect zijn of dat er andere omstandigheden zijn die van invloed kunnen zijn op de werking van het gereedschap. Laat het gereedschap bij beschadigingen repareren vóór gebruik.** Veel ongelukken worden veroorzaakt door slecht onderhoud van het gereedschap.
- f) **Zorg dat snij en zaagwerktuigen scherp en schoon blijven.** Goed onderhouden snij en zaagwerktuigen met scherpe randen zullen minder snel vastlopen en zijn eenvoudiger onder controle te houden.
- g) **Gebruik alle elektrische gereedschappen, accessoires, bitjes etc., zoals aangegeven in deze instructies en op de wijze waarvoor het gereedschap is ontworpen. Houd daarbij rekening met de werkomstandigheden en de uit te voeren taak.** Gebruik van elektrisch gereedschap voor handelingen die afwijken van de taken waarvoor het apparaat is ontworpen kunnen leiden tot gevaarlijke situaties.
- h) **Houd handgrepen en greepoppervlakken droog, schoon en vrij van olie en vet.** Gladde handgrepen en greepoppervlakken maken veilig werken en controle over het gereedschap in onverwachte situaties onmogelijk.
- 5) Gebruik en onderhoud accugereedschap**
- a) **Laad alleen op met de lader die door de fabrikant is gespecificeerd.** Een lader die voor een bepaalde accu geschikt is, kan brand veroorzaken wanneer deze met een andere accu wordt gebruikt.
- b) **Gebruik elektrisch gereedschap alleen met de speciaal hiervoor bedoelde accu's.** Gebruik van andere accu's kan kans op letsel en brand geven.
- c) **Wanneer de accu niet in gebruik is, houd deze dan uit de buurt van andere metalen voorwerpen zoals paperclips, munten, sleutels, spijkers, schroeven of andere kleine metalen voorwerpen die een verbinding tussen twee polen kunnen maken.** Kortsluiting tussen de accupolen kan brandwonden of brand veroorzaken.
- d) **Wanneer de accu niet juist wordt gebruikt, kan**

er vloeistof uit lopen; raak dit niet aan. Wanneer dit per ongeluk wel gebeurt, spoel dan met water. Wanneer de vloeistof in de ogen komt, moet u een arts raadplegen. De vloeistof uit de accu kan irritaties of brandwonden veroorzaken.

- e) **Gebruiken niet een accu of gereedschap dat beschadigd is of gemodificeerd.** Beschadigde of gemodificeerde accu's kunnen onvoorspelbaar gedrag vertonen, wat brand, explosie of een risico van letsel met zich meebrengt.
- f) **Stel een accu over het gereedschap niet bloot aan open vuur of een uitzonderlijk hoge temperatuur.** Blootstelling aan vuur of een temperatuur hoger dan 130 °C, kan een explosie veroorzaken. NB De temperatuur van "130 °C" kan worden vervangen door de temperatuur van "265 °F".
- g) **Houd u aan alle instructies voor het laden en laad de accu of het gereedschap niet op buiten het temperatuurbereik dat in de instructies wordt aangeduid.** Op een onjuiste wijze laden of laden bij temperaturen buiten het aangeduide bereik kan de accu beschadigen en het risico van brand doen toenemen.
- 6) Service**
- a) **Laat uw gereedschap onderhouden door een gekwalificeerde onderhoudstechnicus die alleen gebruikmaakt van identieke vervangingsonderdelen.** Dit zorgt ervoor dat de veiligheid van de powertool intact blijft.
- b) **Voer nooit servicewerkzaamheden uit aan beschadigde accu's.** Alleen de fabrikant of geautoriseerde service-providers mogen servicewerkzaamheden aan accu's uitvoeren.

AANVULLENDE VEILIGHEIDSWAARSCHUWINGEN VOOR HETELUCHTPISTOOL

Bij het ingebruik nemen van het apparaat controleer het volgende:



Komt de aansluitspanning van het heteluchtpistool met de netspanning overeen met de aanduiding 230 Volt. Zijn het netsnoer en de netstekker in goede staat: stevig, zonder rafels of beschadigingen.

- Vermijdt het gebruik van lange verlengkabels.
- Gebruik het apparaat niet onder vochtige omstandigheden.
- Het metalen mondstuk wordt heet. Kijk dan uit en raak het metalen mondstuk niet aan!

- Voorkom beschadiging van het verwarmingselement. Sluit het mondstuk niet af en blokkeer het niet.
- Blijf bij het apparaat als het ingeschakeld is.
- Gebruik dit apparaat niet om haar te drogen of in het algemeen om levende mensen of dieren te drogen;
- Gebruik het apparaat niet in bad of boven water, of in ruimtes waar licht ontvlambare vloeistoffen worden gebruikt.



Dit apparaat werkt bij een temperatuur van 600°C zonder zichtbare tekenen van deze temperatuur (geen vlam), toch bestaat er kans op brandgevaar. Let op de hete luchtstroom uit het mondstuk. Deze luchtstroom kan brandwonden veroorzaken.

Bij het inbedrijf stellen van het apparaat

- Bij gebruik van het heteluchtpistool kunnen er gedurende een korte periode dampen en gasen ontsnappen. Dit kan schadelijk zijn voor uw gezondheid. Astmapatiënten kunnen er ernstige hinder van ondervinden;
- Controleer dat de schakelaar in de "0" stand staat voordat u de netstekker op de netspanning aansluit.
- Houd het netsnoer altijd uit de buurt van het mondstuk van het heteluchtpistool.
- Houd bij het gebruik kinderen en dieren uit de buurt.

Het apparaat onmiddellijk uitzetten bij:

- Storing in de netstekker, netsnoer of snoerbe-schadiging.
- Defecte schakelaar.
- Rook of stank van verschroeide isolatie, afkomstig van het heteluchtpistool.

Elektrische veiligheid

Neem bij het gebruik van elektrische machines altijd de plaatselijk geldende veiligheidsvoorschriften in acht in verband met brandgevaar, gevaar voor elektrische schokken en lichamelijk letsel. Lees behalve onderstaande instructies ook de veiligheidsvoorschriften in het apart bijgevoegde veiligheidskatern door.



Controleer altijd of uw netspanning overeenkomt met de waarde op het typeplaatje.



Klasse II apparaat - Dubbel geïsoleerd - een geaarde stekker is niet noodzakelijk

2. TECHNISCHE INFORMATIE

Bedoeld gebruik

Dit hetelucht pistool is bedoeld voor een uitgebreide reeks toepassingen, inclusief kunststof lassen, materiaal vervormen, krimpkous verhitten, kunststofresten verwijderen of verf drogen. Het is ook geschikt voor het losmaken van vaste verbindingen en het ontdoeien van waterleidingen.

TECHNISCHE SPECIFICATIES

| | |
|--------------------|----------------|
| Model No. | HA502AC |
| Spanning | 220-240 V~ |
| Frequentie | 50/60 Hz |
| Opgenomen vermogen | 2000 W |
| Gewicht | 1,0 kg |
| IP Klasse | IP 20 |
| Positie I | |
| Luchtstroom | 250-500 l/min |
| Luchttemperatuur | 50 °C |
| Positie II | |
| Luchtstroom | 250-500 l/min |
| Luchttemperatuur | 50-650 °C |

Trillingsniveau

Het trillingsemissieniveau, dat in deze gebruiksaanwijzing wordt vermeld, is gemeten in overeenstemming met een gestandaardiseerde test volgens EN 60745; deze mag worden gebruikt om twee machines met elkaar te vergelijken en als voorlopige beoordeling van de blootstelling aan trilling bij gebruik van de machine voor de vermelde toepassingen.

- Het gebruik van de machine voor andere toepassingen, of met andere of slecht onderhouden accessoires, kan het blootstellingsniveau aanzienlijk verhogen.
- Wanneer de machine is uitgeschakeld of wanneer deze loopt maar geen werk verricht, kan dit het blootstellingsniveau aanzienlijk reduceren.

Bescherm uzelf tegen de gevolgen van trilling door de machine en de accessoires te onderhouden, uw handen warm te houden en uw werkwijze te organiseren.

BESCHRIJVING

De nummers in de tekst verwijzen naar de diagrammen op pagina 2 - 3

Fig. A-C

1. Schakelaar
2. Ventilatieopeningen
3. Brandermond
4. LCD-display
- 4.1 Voorkeuze-invoer
- 4.2 Flitser
- 4.3 Aanduiding voorkeuzestand
- 4.4 Temperatuur aanduiding
- 4.5 Luchtstroomaanduiding
5. Opslagknop
6. Standselectieknop
7. Afstellingsknop voor temperatuur -
8. Afstellingsknop voor temperatuur +
9. Afstellingsknop voor luchtstroom +
10. Afstellingsknop voor luchtstroom -
11. Vlakke achterzijde
12. Driehoekvormig mondstuk
13. Reductie mondstuk
14. Glasprotectie mondstuk
15. Lepelvormig reflector mondstuk
16. Schrapper

3. BEDIENING

Dit hetelucht pistool is o.a. te gebruiken voor:

- Loodgieterswerk zoals pijpverbindingen, zachtsolderen, het buigen van pijpen.
- Verwijderen van verf, vernis en lak zonder brandgevaar.
- Snel drogen van nat geworden apparaten.
- Voordrogen van oppervlakken voor snelle reparatie.
- Het verwijderen van zelfklevende labels op een schone manier.
- Perfect voor het aanbrengen van PVC labels.
- Gladstrijken van blazen die na het plakken van PVC-materialen kunnen zijn ontstaan.
- Makkelijk verwijderen van vinyl vloerbedekking
- Vormen van alle lage-temperatuur kunststoffen (400° Celsius) waaronder polyethyleen en PVC.
- Vormen van alle hoge-temperatuur kunststoffen (600° Celsius) waaronder acryl- en plexiglas.
- Versmelten van kunststof, waaronder stoffen en folies met PVC-laag.
- Toepassen van hitte krimpende buizen.
- Krimpverpakkingen.

- Ontdooien van pijpen en motoren.
- Repareren van afwerkingslagen: emaille van bad en huishoudelijke apparaten; toepassen van epoxypoeder deklagen.
- Reparaties van ski's, surfplanken en andere sportartikelen.
- Losmaken van te strak vastgedraaide schroeven en verbindingen.

Gebruik (Fig. A)

Met het heteluchtpistool kan normaal uit de hand worden gewerkt of het apparaat kan verticaal worden opgesteld.

- Controleer of de netschakelaar op de stand "0" staat voordat u de netstekker op het lichtnet aansluit.
- Houd het netsnoer altijd uit de buurt van de hete luchtstroom en het mondstuk.
- Zet de hoofdschakelaar in positie 'I of II' en stel het heteluchtpistool in werking:
 "I" = 50 graden, luchtstroom 250-500 l/min.
 "II" = 50 - 650 graden, luchtstroom 250-500 l/min.
 "0" = Off (Uit)

Instellingen voor temperatuur en luchtstroom. (afb. B)

- Zet de schakelaar op I of II en het heteluchtpistool begint te werken.
- Zet de schakelaar op II.
 - Selecteer het gewenste temperatuurbereik met de afstellingsknoppen (7, 8).
 - U kunt de temperatuur afstellen in stappen van 10 ° C van 50 ° C - 650 ° C.
 - De flitsers (4.2) blijft knipperen tot de uitvoertemperatuur de gewenste temperatuur bereikt.
 - Selecteer het gewenste niveau van de luchtstroom met de afstellingsknoppen (9, 10).
- Zet de schakelaar op I en de temperatuur wordt vast ingesteld op 50°C zodat het apparaat kan afkoelen.

Selectie voorkeuzestand (afb. B, C, D)

- Er zijn 4 voorkeuzestanden beschikbaar en u kunt hiermee snel instellingen voor temperatuur en luchtstroom kiezen voor de meest gebruikte en gedefinieerde toepassingen.
 - Schakel het gereedschap in.
 - Klik op de Standselectieknop (6) en selecteer één van de beschikbare voorkeuzestanden.

Invoer voorkeuzestand (afb. B, C, D)

- Selecteer één voorkeuzestand (zie selectie voorkeuzestand)
- Stel de gewenste temperatuur en luchtstroom in door op de knoppen (7, 8, 9, 10) te drukken (zie instellingen voor temperatuur en luchtstroom). Tijdens deze procedure knippert het symbool van de invoer van voorkeuze (4.1).
- Houd vervolgens de Opslagknop (5) 2 seconden ingedrukt tot het symbool van de invoer van de Voorkeuze (4.1) verdwijnt.

De nieuwe instelling van temperatuur en luchtstroom zijn nu opgeslagen in de voorkeuzestand en u kunt deze stand snel kiezen.

| Instelling | Toepassingen |
|------------|--|
| I | <ul style="list-style-type: none"> ▪ Drogen van verf, tinten van kleuren van vernis, vulmiddel, lijmmiddelen, constructieverbindingen en stucstructuren, lakwerk ▪ Nat hout drogen voor u het gaat plamuren ▪ Stickers verwijderen ▪ Lijmverbindingen - Lijmconstructies van grote oppervlakken met contactlijm, activering van drukgevoelige lijmmiddelen, versnelling van hechtprocessen, losmaken van hechtpunten en ook losmaken en hechten van randafwerking of finer. ▪ In de was zetten en was verwijderen ▪ Krimpen van PVC-verpakking en isolatiemateriaal ▪ Snel drogen van apparaten die nat geworden zijn ▪ IJsvrij maken van trappen en treden, deursloten, deksels van koffers, autodeuren of waterleidingen, en ook het ontdooien van koelkasten en koelboxen |

| | |
|----|--|
| II | <ul style="list-style-type: none"> ▪ Lassen van thermoplastische polymeren, vloermaterialen van PVC en linoleum, weefsels met een PVC-coating, overkappingen en folies ▪ Aanbrengen van krimpousen ▪ Krimpfolies voor verpakkingen ▪ Buigen van kunststof leidingen en platen ▪ Solderen van loodgieterswerk, tin, speciale zilver solder, SMD-elementen, kabelogen ▪ Losmaken van geroeste of vaste moeren of bouten ▪ Verwijderen van oude en zelfs dikke lagen olie, lak, vernis, synthetische pleisterlaag en vinyl-vloerbedekking ▪ Repareren van ski's, surf-boards en andere sportartikelen ▪ Repareren van afwerkklagen: emaille van baden en huishoudelijke apparaten; aanbrengen van afdekklagen van epoxy poeder ▪ Ontsmetting-Met hete lucht van 600°C, kunt u snel hokken/stallen van dieren vrijmaken van of bacteriën. Aantasting van houtworm kan worden bestreden (Voorzichtig: Brandgevaar! Maak het houten oppervlak niet te heet). |
|----|--|

TIP! Twijfelt u over de juiste instelling, begin dan met een instelling op een lage temperatuur en laat de temperatuur geleidelijk toenemen tot u een optimaal resultaat bereikt.

Wanneer de temperatuur oploopt tot boven de 650 °C, schakelt het verwarmingselement zichzelf uit. De ventilator blijft wel lopen. Wanneer het verwarmingselement is afgekoeld tot de bedrijfstemperatuur, schakelt het zichzelf weer in.

Uitschakelen:

zet de schakelaar op 0.

Tip: Wat de optimale instelling is, hangt af van het materiaal en kan worden vastgesteld door het apparaat op een klein deel van het werkstuk uit te proberen.

Platte achterzijde (Fig. E)

Tijdens onderbrekingen van de werkzaamheden kunt u het apparaat gemakkelijk op z'n platte achterzijde zetten. (11) Zo wordt voorkomen dat hete delen in aanraking komen met andere oppervlakken. De platte achterzijde (11) biedt ook de mogelijkheid

het apparaat rechtstandig stationair te gebruiken. Plaats na gebruik het apparaat altijd op z'n platte achterzijde (11). Zo kan het apparaat veilig afkoelen.

U kunt de tijd voor het afkoelen bekorten door het gereedschap in positie I te zetten, dat is de laagste temperatuur, en de luchtstroom af te stellen op Max. en het apparaat enkele minuten te laten werken.

Gebruik van accessoires (Afb. F)

Spreidingsmondstuk (12)

Verdeelt de lucht gelijkmatig over een vlak en breed gebied, bijvoorbeeld, wanneer u grote vlakke oppervlakken moet drogen

Reduceermondstuk (13)

Verdeelt de lucht gelijkmatig over kleine gebieden, bijvoorbeeld, wanneer u last of krimpverbindingen maakt

Glasbescherming mondstuk (14)

Buigt de lucht af van bijvoorbeeld glas bij het afbranden van verf op vensters of stopverf.



Brand niet de verf van metalen vensters, omdat de hitte kan worden overgedragen op het glas en dan kan het glas barsten. Gebruik, wanneer u verf brandt van andere vensters, het glasprotectie mondstuk.

Lepelvormige reflectormondstuk (15)

Verdeelt de lucht rond het materiaal, bijvoorbeeld, wanneer u leidingen soldeert

Schraper (16)

Met de schraper kunt u verf en vernis afbranden van rechte oppervlakken, hoeken van 90° en ronde hoeken.



Zorg ervoor dat er zich geen verf op de schraper verzamelt, omdat dat vlam kan vatten. Verwijder, als dat nodig is, voorzichtig met een mes verresten van de schraper.

4. ONDERHOUD



Bij onderhoud en schoonmaak altijd de netstekker uit het stopcontact (de wandcontactdoos) halen. Gebruik nooit water of andere vloeistoffen bij het schoonmaken van de elektrische delen van het heteluchtpistool.

- Gebruik nooit licht ontvlambare vloeistoffen bij het schoonmaken van het heteluchtpistool in het algemeen en het mondstuk in het bijzonder.
- Houd de ventilatiesleuven van het heteluchtpistool schoon om oververhitting te voorkomen.

Storingen

In het geval het heteluchtpistool niet naar behoren functioneert, geven wij onderstaand een aantal mogelijke oorzaken en de bijbehorende oplossingen.

- **De motor raakt oververhit.**
 - De ventilatiesleuven van het heteluchtpistool zijn verstopt met vuil.
Reinig de ventilatiesleuven.
- **Het heteluchtpistool start niet na het inschakelen.**
 - Onderbreking in het elektrisch circuit.
Controleer het netsnoer en de netstekker.
 - De schakelaar is defect.
Trek de netstekker uit het stopcontact, er is namelijk kans op brandgevaar! Biedt het heteluchtpistool bij uw dealer aan ter reparatie.
- **De motor draait niet, maar verwarmt wel.**
 - Onderbreking in elektrische motor. *Trek de netstekker uit het stopcontact, er is namelijk kans op brandgevaar! Biedt het heteluchtpistool bij uw dealer aan ter reparatie.*

tijdens de wettelijk vastgestelde garantieperiode vanaf de eerste aankoopdatum. Mocht het product tijdens deze periode gebreken vertonen veroorzaakt door defecte materialen en/of fabrieksfouten, neem dan rechtstreeks contact op met VONROC.

De volgende situaties vallen niet onder de garantie:

- Er zijn reparaties of aanpassingen aan de machine uitgevoerd, of er is een poging daartoe ondernomen, door een nietgeautoriseerd servicecentrum.
- Normale slijtage.
- De machine is misbruikt, verkeerd gebruikt of slecht onderhouden.
- Er zijn niet-originele reserveonderdelen gebruikt

Dit vormt de enige garantie opgesteld door het bedrijf zowel expliciet als impliciet. Er bestaan geen andere garanties expliciet of impliciet welke verder gaan dan deze garantie, inclusief impliciete garanties van verkoopbaarheid en geschiktheid voor bepaalde doeleinden. In geen enkel geval kan VONROC aansprakelijk worden gesteld voor incidentele schade of gevolgschade. Reparaties van dealers zijn gelimiteerd tot de reparatie of vervanging van defecte producten of onderdelen.

Het product en de gebruikershandleiding zijn onderhevig aan wijzigingen. Specificaties kunnen zonder opgaaf van redenen worden gewijzigd.

MILIEU



Defecte en/of afgedankte elektrische of elektronische gereedschappen dienen ter verwerking te worden aangeboden aan een daarvoor verantwoordelijke instantie.

Uitsluitend voor EG-landen

Werp elektrisch gereedschap niet weg bij het huisvuil. Conform de Europese Richtlijn 2012/19/EG voor Afgedankte Elektrische en Elektronische Apparatuur en de implementatie ervan in nationaal recht moet niet langer te gebruiken elektrisch gereedschap gescheiden worden verzameld en op een milieuvriendelijke wijze worden verwerkt.

GARANTIE

VONROC producten zijn ontworpen volgens de hoogste kwaliteitsstandaarden en gegarandeerd vrij van defecten, zowel materieel als fabrieksfouten,

1. CONSIGNES DE SÉCURITÉ

En plus des avertissements de sécurité suivants, veuillez également lire les avertissements de sécurité additionnels ainsi que les instructions. Le non-respect des avertissements de sécurité et des instructions peut entraîner une décharge électrique, un incendie et/ou des blessures graves. Veuillez conserver les avertissements de sécurité et les instructions pour consultation ultérieure.

Les symboles suivants sont utilisés dans le manuel d'utilisation ou apposés sur le produit:



Indique un risque de blessures, un danger mortel ou un risque d'endommagement de l'outil en cas du non-respect des consignes de ce mode d'emploi.



Indique un risque de décharges électriques

CONSIGNES GÉNÉRALES DE SÉCURITÉ



AVERTISSEMENT! *Veuillez lire l'intégralité des avertissements de sécurité et des instructions. Le nonrespect de toutes les instructions indiquées cidessous peut entraîner un risque de choc électrique, d'incendie et/ou de blessures graves.*

Conservez ces instructions.

Le terme "appareil électrique" mentionné dans tous les avertissements cidessous se rapporte à un appareil électrique qui se branche au réseau électrique (grâce à un câble d'alimentation) ou à un appareil électrique (sans fil) fonctionnant grâce à une batterie.

1) espace de travail

- Veillez toujours à garder votre espace de travail propre et bien éclairé.** Les espaces mal rangés et sombres peuvent être la cause d'accidents.
- N'utilisez pas les appareils électriques dans des environnements susceptibles d'explosion, par exemple en présence de liquides inflammables, de gaz ou de particules.** Les appareils électriques provoquent des étincelles qui peuvent enflammer les particules des émanations.
- Veillez à garder éloignés les enfants et les personnes se trouvant dans votre voisinage, lors de l'utilisation d'un appareil électrique.** Les distractions peuvent vous faire perdre le

contrôle de l'appareil.

2) mesures de sécurité électriques

- Les prises des appareils électriques doivent être raccordées à la prise murale correspondante. Ne modifiez jamais la prise de l'appareil, de quelque façon que ce soit. N'utilisez pas d'adaptateurs qui mettent les appareils électriques à la terre (mise à la masse).** Des prises non modifiées et branchées à la prise murale correspondante réduiront les risques de choc électrique.
- Évitez le contact direct avec les surfaces mises à la terre ou mises à la masse comme les canalisations, les radiateurs, les cuisinières et les réfrigérateurs.** En effet, le risque de choc électrique s'accroît si votre corps est mis à la terre ou à la masse.
- N'utilisez pas d'outils électriques dans des environnements pluvieux ou humides.** Si de l'eau s'introduit dans un appareil électrique, le risque de choc électrique augmentera.
- N'utilisez pas le câble de manière abusive. N'utilisez jamais le câble pour transporter, tirer ou débrancher l'appareil électrique. Veillez à garder le câble éloigné des sources de chaleur, des huiles, des rebords coupants ou des pièces actionnées.** Les câbles endommagés ou entremêlés augmentent le risque de choc électrique.
- Lorsque un appareil est utilisé à l'extérieur, utilisez uniquement un câble prolongateur prévu à cet effet.** L'utilisation d'un câble à usage extérieur réduit le risque de choc électrique.
- Si vous êtes contraint d'utiliser un outil électrique dans un environnement humide, utilisez une alimentation protégée par un dispositif à courant résiduel (RCD).** L'utilisation d'un RCD réduit le risque de décharge électrique.

3) Sécurité personnelle

- Restez vigilant, gardez un œil sur ce que vous faites et utilisez votre sens commun lors de l'utilisation d'un appareil électrique. N'utilisez pas un appareil électrique si vous êtes fatigué ou si vous êtes sous l'influence de drogues, d'alcool ou si vous prenez des médicaments.** Un moment d'inattention lors de l'utilisation des appareils électriques peut entraîner des blessures graves.
- Utilisez un équipement de protection personnelle. Protégez-vous toujours les yeux.** Les équipements de protection, tels qu'un masque à poussière, des chaussures

antidérapantes, des protections auditives ou un casque de sécurité, utilisés dans de bonnes conditions, réduiront le risque de blessures.

- c) **Prévenez tout démarrage involontaire. Assurez-vous que l'interrupteur est sur la position "arrêt avant de brancher l'appareil.** En effet, le transport des appareils électriques en gardant vos doigts sur l'interrupteur, ou le branchement de ces appareils en ayant l'interrupteur sur "marche accidents.
- d) **Retirez les clés de réglage ou les clés de vis de réglage avant d'allumer l'appareil électrique.** Une clé de vis de réglage ou une clé, laissée sur une pièce en mouvement de l'appareil électrique, peut entraîner des lésions corporelles.
- e) **Ne pas se précipiter. Gardez toujours vos pieds à plat et gardez votre équilibre.** Ceci permet de mieux contrôler l'appareil électrique dans des situations imprévues.
- f) **Habilitez-vous convenablement. Ne portez pas de vêtements lâches ou de bijoux. Gardez vos cheveux, vêtements et gants éloignés des pièces actionnées.** En effet, ces derniers peuvent être pris dans les pièces en action.
- g) **Si les appareils sont fournis pour la connexion des équipements d'évacuation et de récupération de la poussière, assurez-vous que ces derniers soient correctement connectés et utilisés.** L'utilisation de ces appareils peut réduire les risques liés à la poussière.
- h) **Ne pensez pas être familiarisé avec l'outil après l'avoir utilisé à de nombreuses reprises, au point de ne plus rester vigilant et d'en oublier les consignes de sécurité.** Toute action imprudente peut engendrer de graves blessures en une fraction de seconde.
- 4) **Utilisation et entretien d'un appareil électrique**
- a) **Ne forcez pas l'appareil électrique. Utilisez l'appareil électrique adéquat pour votre application.** Un appareil électrique correctement choisi assurera un meilleur travail et un travail sans danger, au rythme auquel il a été conçu.
- b) **N'utilisez pas l'appareil électrique si l'interrupteur marche/arrêt ne fonctionne pas.** Un appareil électrique qui ne peut pas être commandé par l'interrupteur de contrôle est dangereux et doit être réparé.
- c) **Débranchez la prise du bloc d'alimentation avant d'effectuer des réglages, de changer des accessoires, ou de ranger les appareils électriques.** Ces mesures de sécurité préventives réduiront le risque de démarrage involontaire de l'appareil électrique.
- d) **Rangez les appareils électriques arrêtés hors de la portée des enfants et ne laissez aucune personne, non familiarisée avec l'outil ou ces instructions, utiliser l'appareil électrique.** Les appareils électriques sont dangereux entre les mains d'utilisateurs non formés.
- e) **Entretenez les appareils électriques. Vérifiez tout défaut d'alignement et l'enchaînement des pièces actionnées, la rupture de ces dernières, et les autres conditions qui peuvent affecter le fonctionnement des appareils électriques. En cas de dommages, faites réparer l'appareil électrique avant de le réutiliser.** Nombreux sont les accidents provoqués par des appareils électriques mal entretenus.
- f) **Veillez à garder les outils coupants aiguisés et propres.** Des outils coupants correctement entretenus avec des lames aiguisées sont moins susceptibles de se bloquer et sont plus faciles à contrôler.
- g) **Utilisez l'appareil électrique, les accessoires et les embouts, etc., conformément à ces instructions et de la manière prévue pour le type spécifique de l'appareil électrique, en prenant en compte les conditions de travail et le travail à effectuer.** L'utilisation de l'appareil électrique dans des applications différentes de celles prévues peut entraîner des situations dangereuses.
- h) **Gardez les poignées et les surfaces de préhension sèches, propres et exemptes d'huile et de graisse.** Des poignées et des surfaces de préhension glissantes ne permettent pas de manipuler et de contrôler l'outil correctement en cas de situations inattendues.
- h) **Gardez les poignées et les surfaces de préhension sèches, propres et exemptes d'huile et de graisse.** Des poignées et des surfaces de préhension glissantes ne permettent pas de manipuler et de contrôler l'outil correctement en cas de situations inattendues.
- 5) **Utiliser et soigner les outils à batterie**
- a) **Rechargez la batterie uniquement avec le chargeur spécifié par le fabricant.** Un chargeur adapté à une certaine batterie peut être cause de danger d'incendie quand on l'utilise avec une batterie différente.

- b) **Utilisez chaque outil uniquement avec la batterie conçue pour lui.** L'utilisation de toute autre batterie peut être cause de danger de blessure ou d'incendie.
- c) **Lorsque une batterie n'est pas en usage, gardez-la hors d'atteinte d'objets métalliques tels que les trombones, pièces de monnaie, clés, clous, vis et autres petits objets métalliques pouvant faire le contact entre une borne et l'autre.** Un court-circuit entre les bornes de la batterie peut être cause de brûlures ou d'incendie.
- d) **Dans des circonstances extrêmes, du liquide peut gicler hors de la batterie ; évitez tout contact. En cas de contact accidentel, rincez à l'eau. En cas de contact du liquide avec les yeux, consultez un médecin.** Le liquide qui gicle d'une batterie peut causer irritations ou brûlures.
- e) **N'utilisez pas un bloc-batterie ou un outil endommagé ou modifié.** Une batterie endommagée ou altérée peut avoir un comportement imprévisible qui peut conduire à un incendie, une explosion ou un risque de blessure.
- f) **N'exposez pas le bloc-batterie ou l'outil au feu ou à des températures excessives.** L'exposition au feu ou à des températures dépassant 130 °C peut provoquer une explosion. REMARQUE La température de "130°C" peut être remplacé par la température de "265°F".
- g) **Respectez les instructions pour la charge et ne rechargez pas le bloc-batterie ou l'outil à une plage de températures hors de celle spécifiée dans les instructions.** Une charge mal effectuée ou à des températures hors de la plage spécifiée peut endommager la batterie et augmente le risque d'incendie.
- 6) Maintenance**
- a) **L'entretien de votre outil électrique doit être confié à un réparateur qualifié qui utilise uniquement des pièces de rechange identiques aux pièces d'origine.** Cela permet d'assurer la sécurité de l'outil électrique.
- b) **Ne réparez jamais des blocs-batteries endommagés.** Les réparations sur les blocs-batteries ne doivent être effectuées que par le fabricant ou l'un de ses prestataires de services agréés.

AVERTISSEMENTS DE SÉCURITÉ ADDITIONNELS POUR LES PISTOLET D'AIR CHAUD

Lors de la mise en service de l'appareil contrôlez le suivant:



Est-ce que la tension de branchement du décapeur thermique correspond à la tension du réseau?

Est-ce que le fil d'alimentation et la fiche-secteur sont en bon état; solides, sans effilures ou dommages?

- Évitez l'utilisation de rallonges longues.
- N'utilisez pas l'appareil sous circonstances mouillés.
- L'embouchure métallique se chauffe. Faites attention et ne touchez pas l'embouchure métallique.
- Prévenez dommages de l'élément de chauffage. Ne fermez pas l'embouchure et ne la bloquez pas.
- Ne quittez l'appareil si l'interrupteur est en position "MARCHÉ".
- Ne jamais utiliser l'appareil pour sécher les cheveux ou des êtres vivants en général.
- N'utilisez pas l'appareil en bain, au-dessus d'eau ou dans un espace où sont utilisés des liquides légèrement inflammable.



Cet appareil marche par une température de 600 centigrades sans signes visibles de cette température (sans flammes), pourtant il y a danger d'incendie. Faites attention au flux d'air chaud. Ce flux d'air peut causer des brûlures. Lors de la mise en marche de l'appareil

Lors de la mise en marche de l'appareil

- Lors de l'utilisation du pistolet à air chaud, des vapeurs et/ou des gaz pourraient être libérés. Ceci pourrait être dangereux pour votre santé. Les personnes asthmatiques pourraient être affectées par ces vapeurs/gaz.
- Contrôlez si l'interrupteur n'est pas en position "marche" avant de brancher la fiche-secteur sur la tension de réseau.
- Prenez soin que le fil d'alimentation ne touche pas l'embouchure du décapeur thermique.
- Prenez soin qu'il n'y a pas des enfants ou animaux près de l'appareil si vous l'utilisez.

Arrêter immédiatement l'appareil en cas de:

- Court-circuit de la fiche-secteur ou du fil d'alimentation ou endommagement du fil d'alimentation.

- L'interrupteur défectueux.
- Fumée ou odeur d'isolant, originaire du décapeur thermique.

Consignes de sécurité électrique

Lors d'utilisation de machines électriques, observez les consignes de sécurité locales en vigueur en matière de risque d'incendie, de chocs électriques et de lésion corporelle. En plus des instructions ci-dessous, lisez entièrement les consignes de sécurité contenues dans le cahier de sécurité fourni à part.



Vérifiez toujours si la tension de votre réseau correspond à la valeur mentionnée sur la plaque signalétique.



Machine de la classe II - Double isolation - vous n'avez pas besoin d'une prise avec mise à terre.

2. INFORMATIONS RELATIVES À LA MACHINE

Utilisation prévue

Ce pistolet à air chaud est conçu pour tout un éventail d'applications et notamment le soudage du plastique, la déformation de matière, le traitement des gaines thermo-rétractibles, le retrait de résidus de matière ou le séchage de la peinture. Il est également adapté pour retirer les joints adhésifs ou dégivrer les canalisations d'eau.

SPÉCIFICATIONS TECHNIQUES

| Model No. | HA502AC |
|----------------------|---------------|
| Tension | 220-240 V~ |
| Fréquence | 50/60 Hz |
| Puissance d'entrée | 2000 W |
| Poids | 1,0 kg |
| IP Class | IP 20 |
| Position I | |
| Flux d'air | 250-500 l/min |
| Température de l'air | 50 °C |
| Position II | |
| Flux d'air | 250-500 l/min |
| Température de l'air | 50-650 °C |

Niveau de vibrations

Le niveau des vibrations émises, indiqué dans ce manuel, a été mesuré conformément à la procédure décrite par la norme EN60745. Il peut être utilisé pour comparer deux outils ou pour réaliser une estimation préalable de l'exposition aux vibrations lors de l'utilisation de l'outil pour les applications mentionnées.

- L'utilisation de l'outil dans d'autres applications ou avec des accessoires différents ou mal entretenus peut considérablement augmenter le niveau d'exposition.
- La mise hors tension de l'outil et sa non-utilisation pendant qu'il est allumé peuvent considérablement réduire le niveau d'exposition.

Protégez-vous contre les effets des vibrations par un entretien correct de l'outil et de ses accessoires, en vous échauffant les mains et en organisant vos rythmes de travail.

DESCRIPTION

Les numéros dans le texte se rapportent aux schémas des pages 2 - 3.

Fig. A-C

1. Sélecteur
2. Rainures de ventilation
3. Bouche de sortie
4. Écran digital LCD
 - 4.1 Programmation d'un préréglage
 - 4.2 Avertisseur lumineux
 - 4.3 Indication du mode préréglé choisi
 - 4.4 Indication de la température
 - 4.5 Indication du flux d'air
5. Bouton Sauvegarder
6. Bouton Sélecteur de mode
7. Bouton de diminution de la température
8. Bouton d'augmentation de la température
9. Bouton de diminution du flux d'air
10. Bouton d'augmentation du flux d'air
11. Côté arrière plat
12. Buse en Y
13. Buse réductrice
14. Buse de protection du verre
15. Buse réflectrice en forme de cuiller
16. Spatule

3. FONCTIONNEMENT

Vous pouvez utiliser le décapeur thermique pour entre autres:

- Plomberie comme jonctions de tuyaux, souder, courber de tuyaux.
- Éloigner teinture, vernis et laque sans danger d'incendie.
- Sécher rapidement d'appareils qui sont été mouillés.
- Sécher de surfaces pour une réparation rapide.
- Éloigner d'étiquettes autoadhésives d'une manière propre.
- Placer d'étiquettes PVC.
- Lisser de cloquage après coller matériaux PVC.
- Éloigner plus facile de revêtement de vinyle.
- Former de tous les plastiques avec une température bas (400 centigrades) comme polyéthylène et PVC.
- Former tous les plastiques avec une température élevé (600 centigrades) comme acryle et plexiglas.
- Fondre plastiques comme matières et pellicule avec une couche de PVC.
- Appliquer de tuyaux qui sont plus petits de la chaleur.
- Emballage de retrait.
- Se fondre de tuyaux et moteurs.
- Réparer couches d'achèvement: émail de bain et appareils de ménage; appliquer couches de couverture de poudre époxyde.
- Éloigner tapisserie facilement.
- Reparations de skis, planches de voile et d'autres articles de sport.
- Déboutonner de vises et jonctions qui ont été fixés trop raides.

Utilisation (Fig. A)

Avec le décapeur thermique vous pouvez travailler normalement avec les mains ou il peut être installé verticalement.

- Contrôlez si l'interrupteur de réseau est en position '0' avant de brancher la fiche-secteur au réseau.
- Maintenez toujours le cordon d'alimentation à l'écart du jet d'air chaud et de l'embout ;
- Poussez l'interrupteur de réseau en position "I, II ou III" pour mettre en marche votre décapeur thermique:

"I" = 50 °C, flux d'air 250-500 l/min.

"II" = 50-650 °C, flux d'air 250-500 l/min.

"0" = Eteint

Régler la température et le flux d'air. (Fig. B)

- Tournez l'interrupteur sur I ou II pour que le pistolet thermique s'allume.
- Tournez l'interrupteur sur II.
 - Sélectionnez la plage de températures voulue à l'aide des boutons de réglage (7, 8).
 - Il est possible de régler la température par paliers de 10 °C entre 50 °C et 650 °C.
 - L'indicateur lumineux (4.2) clignote tant que la température en sortie n'a pas atteint la température choisie.
 - Sélectionnez le niveau de puissance du flux d'air voulu à l'aide des boutons de réglage (9, 10).
- Tournez l'interrupteur sur I, la température est fixée à 50 °C pour le refroidissement.

Sélectionner un mode pré-réglé (Fig. B, C, D)

- Il vous est possible de rapidement sélectionner l'un des 4 modes pré-réglés de température et de flux d'air pour les applications les plus courantes et certaines applications prédéfinies.
 - Allumez l'outil.
 - Appuyez sur le bouton sélecteur de mode (6) pour choisir l'un des pré-réglages disponibles.

Programmer un mode pré-réglé (Fig. B, C, D)

- Sélectionnez l'un des modes pré-réglé (voir Sélectionner un mode pré-réglé)
- Réglez la température et le flux d'air voulus en appuyant sur les boutons (7, 8, 9, 10) (voir Régler la température et le flux d'air). Durant cette procédure, le symbole de la programmation d'un pré-réglage (4.1) clignote.
- Maintenez ensuite le bouton Sauvegarder (5) enfoncé pendant 2 secondes jusqu'à ce que le symbole de programmation d'un pré-réglage (4.1) disparaisse. Le nouveau réglage pour la température et le flux d'air sont alors sauvegardés et il peut être rapidement sélectionné en tant que mode pré-réglé

| Réglage | Applications |
|---------|--|
| I | <ul style="list-style-type: none"> Sécher les peintures, échantillons de teintes de vernis, mastics, colles, joints, stucs, laques Sécher le bois humide avant remplissage Retirer les stickers Fixer les adhésifs collés sur de larges surfaces, faire prendre les adhésifs sensibles à la pression, accélérer la prise, retirer les points collés et retirer ou coller les bandes de chant ou les plaquages. Appliquer et retirer la cire Rétracter le PVC et les gaines d'isolation Sécher rapidement les appareils qui ont été mouillés Dégeler les marches gelées, les serrures, les capots, les portières de véhicules ou les conduites d'eau et dégivrer les réfrigérateurs et les congélateurs |
| II | <ul style="list-style-type: none"> Souder les polymères thermoplastiques, les revêtements de sol en PVC, linoléum, les tissus recouverts de PVC, les bâches et les films Installez des gaines thermorétractables Fardeler Plier des tuyaux et des feuilles en plastique Souder des raccords de plomberie, l'étain, la soudure à l'argent, les éléments montés en surface, les cosses de câbles Dévisser des écrous ou boulons oxydés ou trop serrés Retirer les vieilles couches, même épaisses, de peinture à l'huile, de vernis, de laque, de résine synthétique ou de moquette en vinyle Réparer les skis et les planches de surf ainsi que d'autres articles de sport Réparer les couches de finition : l'émail des lavabos, baignoires et des appareils ménagers, appliquer les revêtements en Epoxy Désinfection à l'air chaud à 600 °C, vous pouvez rapidement venir à bout des bactéries présentes dans les porcheries et les écuries. La prolifération des vers à bois peut être contrôlée (Attention : Risque d'incendie ! Ne chauffez pas les surfaces en bois de façon excessive). |

ASTUCE! Si vous n'êtes pas sûr du bon réglage à choisir, commencez à une température basse et augmentez-la progressivement jusqu'à obtenir le résultat voulu.

L'élément chauffant se coupe automatiquement dès que la température dépasse 650 ° C. Le ventilateur continue cependant à tourner. L'élément chauffant se rallume automatiquement dès qu'il refroidit et qu'il retrouve une température normale pour fonctionner.

Éteindre:

Passez le sélecteur à la position 0.

Conseil: Le réglage optimum dépend de la matière et il peut être défini en procédant à des tests sur une petite surface.

Côté arrière plat (Fig. E)

Entre deux utilisations, la machine peut être posée sur son côté arrière plat (11). Les zones chaudes ne peuvent ainsi pas entrer en contact avec une quelconque surface.

Le côté arrière plat (11) permet également d'utiliser la machine en mode stationnaire à la verticale. Après utilisation, reposez toujours la machine sur son côté arrière plat (11). Cela permet à la machine de refroidir en toute sécurité.

Afin de réduire la durée du refroidissement, passez l'outil sur la position I qui correspond à la température la plus basse, réglez le flux d'air au maximum et laissez l'outil fonctionner ainsi quelques minutes.

Utilisation des accessoires (Fig. F)

Embout à queue de poisson (12)

Dirige le flux d'air de façon homogène sur une grande zone pour sécher de grandes surfaces plates par exemple

Buse de réduction (13)

Dirige le flux d'air de façon homogène sur une petite zone pour souder ou rétracter une gaine par exemple

Buse de protection du verre (14)

Empêche le contact de l'air chaud du verre, par exemple lorsque vous allez éliminer la peinture des cadres de fenêtres ou adoucir le mastic.



Ne décapez pas la peinture des châssis de fenêtres métalliques car la chaleur pourrait se propager sur la vitre et la fissurer. Pour décapier les autres châssis de fenêtres, utilisez la buse de protection du verre.

Buse réflectrice en forme de cuiller (15)

Dirige l'air autour de la matière pour souder des tuyaux par exemple

Spatule (16)

La spatule peut servir pour décaper la peinture et les vernis sur les surfaces droites, les coins à 90° et les arrondis.



Évitez toute accumulation de peinture sur la spatule, car elle pourrait prendre feu. Utilisez si nécessaire un couteau pour retirer soigneusement les résidus de peinture de la spatule.

4. ENTRETIEN



Lors de l'entretien et du nettoyage, éter toujours la fiche (de la prise murale). Utilisez jamais de l'eau ou des autres liquides pour le nettoyage la machine. Brossez proprement la machine à l'aide d'une brosse.

- Ne nettoyez pas votre décapeur thermique à l'aide de liquides légèrement inflammable, et en particulier pas l'embouchure;
- Tenez les encoches de ventilation du décapeur thermique propre pour prévenir surchauffage.

En cas du décapeur thermique ne fonctionne pas bon, nous indiquons ci-dessous quelques raisons et solutions correspondents

- **Le moteur est surchauffé.**
 - Les encoches de ventilation sont boursés et sales. *Nettoyez les encoches de ventilation.*
- **Le décapeur thermique ne marche pas après le brancher.**
 - Interruption dans le circuit électrique. *Contrôlez le fil d'alimentation et la fiche-secteur.*
 - L'interrupteur est défectueux. *Débranchez l'appareil, car il risque de danger d'incendie! Donnez le décapeur thermique à réparer à votre distributeur.*
- **Le moteur ne tourne pas, mais chauffe bon.**
 - Interruption dans le moteur électrique. *Débranchez l'appareil, car il risque de danger d'incendie! Donnez le décapeur thermique à réparer à votre distributeur.*

ENVIRONNEMENT



Les équipements électroniques ou électriques défectueux ou destinés à être mis au rebut doivent être déposés aux points de recyclage appropriés.

Uniquement pour les pays de l'UE

Ne jetez pas les outils électriques avec les déchets domestiques. Selon la Directive européenne 2012/19/CE relative aux déchets d'équipements électriques et électroniques et sa mise en œuvre dans le droit national, les outils électriques hors d'usage doivent être collectés séparément et mis au rebut de manière écologique.

GARANTIE

Les produits VONROC sont développés aux plus hauts standards de qualité et ils sont garantis contre les défauts de pièces et de main d'oeuvre pendant la durée légale stipulée à partir de la date d'achat d'origine du produit. En cas d'une quelconque panne du produit pendant cette durée qui serait due à un défaut matériel et/ou de main d'oeuvre, contactez directement VONROC.

Les circonstances suivantes ne sont pas prises en charge par la garantie:

- Des réparations ou altérations ont été effectuées ou tentées sur la machine par un centre de réparation non agréé.
- L'usure normale.
- L'outil a été maltraité, mal utilisé ou mal entretenu.
- Des pièces détachées non d'origine ont été utilisées

Ceci constitue l'unique garantie accordée par la société explicitement ou implicitement. Il n'existe aucune autre garantie, explicite ou implicite, qui peut s'étendre au delà du contenu ici présent, y compris les garanties marchandes ou d'adaptation à des fins particulières. En aucun cas VONROC ne sera tenu responsable de dommages accidentels ou consécutifs. Les solutions proposées par les revendeurs devront se limiter à la réparation ou le remplacement des éléments ou pièces non conformes.

Le produit et le manuel d'utilisation sont sujets à modifications. Les spécifications peuvent changer sans préavis.

1. INSTRUCCIONES DE SEGURIDAD

Lea las advertencias de seguridad, las advertencias de seguridad adicionales y las instrucciones adjuntas. De no respetarse las advertencias de seguridad y las instrucciones, podrían producirse descargas eléctricas, incendios y/o lesiones graves. Conserve las advertencias de seguridad y las instrucciones para su posterior consulta.

Los siguientes símbolos se utilizan en el manual de usuario o en el producto:



Denota riesgo de lesiones personales, pérdida de vida o daños a la herramienta en caso de incumplimiento de las instrucciones del presente manual.



Indica el peligro de sufrir descargas eléctricas.

INSTRUCCIONES GENERALES DE SEGURIDAD



PRECAUCIÓN! Lea todas las advertencias de seguridad y todas las instrucciones. Si no lo hace, el uso indebido puede acarrear cortocircuitos, fuego o lesiones graves.

Conserve estas instrucciones.

El término “herramienta eléctrica”, en todas las advertencias enumeradas a continuación se refiere a su herramienta eléctrica (i nalámbrica) que funciona con una batería o a través de la red eléctrica.

1) Área de trabajo

- Trabaje en un lugar limpio y bien iluminado.** Lugares no iluminados o sucios propician accidentes.
- No use herramientas eléctricas donde haya riesgo de fuego o explosión, p.ej: cerca de líquidos o gases inflamables, polvo etc.** Las herramientas eléctricas producen chispas que pueden producir la ignición de partículas de humo.
- Mantenga a los niños y otras personas alejados mientras utiliza la herramienta eléctrica.** Las distracciones pueden hacer que pierda el control de la herramienta.

2) Seguridad eléctrica

- Cerciórese de que las clavijas de la herramienta eléctrica están correctamente enchufadas. Nunca modifique la clavija. No utilice ningún adaptador para la clavija de una herramienta**

eléctrica con conexión a tierra. Las clavijas que no se hayan cambiado y los enchufes adecuados reducen el riesgo de cortocircuitos.

- Evite el contacto humano con superficies con conexiones a tierra como tubos metálicos, conductos, tubos de la calefacción, radiadores y refrigeradores.** El riesgo de cortocircuitos es mayor cuando el cuerpo está en contacto con el suelo.
- No use herramientas eléctricas bajo la lluvia o en entornos húmedos.** Si entra agua en una herramienta eléctrica aumenta el riesgo de cortocircuito.
- No utilice el cable para todo. Nunca utilice el cable para mover la máquina, empujarla o sacar la clavija del enchufe. Mantenga el cable alejado del calor, aceite, zonas cortantes o piezas en movimiento.** Los cables dañados o enredados aumentan el riesgo de cortocircuito.
- Use un cable alargador impermeable adecuado para exteriores cuando trabaje con la herramienta eléctrica al aire libre.**

El riesgo de cortocircuito es menor si utiliza un cable alargador adecuado para exteriores.

- Si no se puede evitar el uso de la herramienta eléctrica en un lugar húmedo, use suministro protegido mediante dispositivo diferencial residual (DDR).** El uso de un DDR reduce el riesgo de choque eléctrico.
- No permita que la familiaridad adquirida con el uso frecuente de las herramientas le haga confiarse e ignorar los principios de seguridad de las herramientas.** Una acción descuidada puede causar lesiones graves en una fracción de segundo.

3) Seguridad personal

- No se descuide, preste atención a lo que está haciendo y utilice el sentido común mientras trabaje con esta herramienta. No use herramientas eléctricas cuando esté cansado o esté bajo los efectos del alcohol, las drogas o los medicamentos.** Un momento de distracción, mientras utilice la herramienta eléctrica, puede provocar lesiones personales graves.
- Use equipo de protección individual. Use siempre gafas protectoras.** El uso en condiciones apropiadas del equipo de seguridad como por ejemplo: mascarilla antipolvo, zapatos antideslizantes de seguridad, casco o protección para los oídos, disminuye el riesgo de sufrir lesiones personales.
- Evite arranques involuntarios. Asegúrese de que el interruptor está en la posición de apag-**

- ado antes de conectarlo a la fuente de electricidad.** Transportar herramientas eléctricas con el dedo puesto sobre el interruptor o enchufarlas con el interruptor encendido puede causar accidentes.
- d) **Quite cualquier llave de ajuste antes de encender la herramienta eléctrica.** Una llave olvidada junto a una pieza móvil de la herramienta eléctrica puede provocar lesiones personales graves.
- e) **No se estire demasiado. Mantenga siempre el equilibrio y tenga los pies en el suelo.** Esto permite un mayor control de la herramienta eléctrica en situaciones inesperadas.
- f) **Vístase apropiadamente. No lleve prendas holgadas o joyas. Mantenga su pelo, ropa y guantes alejados de las piezas móviles.** Las prendas holgadas, las joyas y el pelo largo pueden quedar atrapados en las piezas móviles.
- g) **Si se han suministrado dispositivos para la extracción y recogida de polvo asegúrese de que estos estén conectados y se utilicen correctamente.** El uso de estos dispositivos puede reducir los riesgos relacionados con el polvo.
- h) **Mantenga las asas y las superficies de agarre secas, limpias y libres de aceite y grasa.** Las asas y las superficies de agarre resbaladizas no permiten un manejo y control seguros de la herramienta en situaciones inesperadas.
- 4) Utilización y cuidados de la herramienta eléctrica**
- a) **No fuerce la herramienta eléctrica. Utilice la herramienta eléctrica adecuada para el trabajo que vaya a realizar.** Una herramienta eléctrica apropiada realizará un trabajo mejor y más seguro si se utiliza para el objetivo con el que ha sido diseñada.
- b) **No use herramientas que no pueden encenderse o apagarse con el interruptor.** Las herramientas que ya no se puedan encender y apagar son peligrosas y deben repararse.
- c) **Desenchufe la clavija de la toma de electricidad antes de realizar modificaciones, cambiar accesorios o guardar las herramientas eléctricas.** Tales medidas de seguridad preventivas reducen el riesgo de la puesta en marcha accidental.
- d) **Mantenga a los niños alejados de una herramienta eléctrica sin utilizar y no permita a personas que no estén familiarizadas con la máquina o estas instrucciones utilizar la herramienta.** La herramienta eléctrica puede ser peligrosa cuando la utilicen personas sin experiencia.
- e) **Conserve sus herramientas cuidadosamente. Verifique cualquier desalineación o agarrotamiento de piezas móviles, piezas dañadas y cualquier otra causa, que pudiera repercutir en el buen funcionamiento de la herramienta eléctrica. Si la herramienta está estropeada, repárela antes de utilizarla.** Muchos de los accidentes están causados por un mantenimiento insuficiente del equipo eléctrico.
- f) **Mantenga las herramientas de corte limpias y afiladas.** Sierras con esquinas cortantes con un buen mantenimiento se bloquean menos y son más fáciles de controlar.
- g) **Utilice la herramienta eléctrica, accesorios y brocas etc. Siguiendo las instrucciones atendiendo al tipo de herramienta eléctrica y tenga en cuenta las condiciones de trabajo y el tipo de trabajo que se va a realizar.** Puede ser peligroso realizar trabajos con la herramienta diferentes de aquellos para los que está diseñada.
- 5) Uso y cuidado de las herramientas alimentadas por batería**
- a) **Recargue las baterías únicamente con el cargador recomendado por el fabricante.** Un cargador que es apto para un tipo de baterías determinado puede provocar riesgo de incendio si se usa para cargar otra clase de baterías.
- b) **Use las herramientas eléctricas sólo con las baterías indicadas específicamente.** El uso de otra clase de baterías diferente puede ocasionar el riesgo de derivar en lesiones o un incendio.
- c) **Cuando el paquete de baterías no esté en uso, consérvelo retirado de objetos metálicos como sujetapapeles, monedas, llaves, clavos, tornillos o cualquier otro objeto metálico pequeño que pueda hacer puente entre las terminales.** El contacto entre las terminales de la batería puede causar quemaduras o incendio.
- d) **Bajo condiciones extremas de abuso la batería podría expulsar un líquido; evite todo contacto. Si se produjese contacto accidentalmente, lávese bien con agua. Si el líquido hace contacto con los ojos, consulte también al médico.** El líquido emanado de la batería puede causar irritaciones o quemaduras.
- e) **No utilice una batería o una herramienta que esté dañada o modificada.** Las baterías dañadas o modificadas pueden presentar un comportamiento impredecible y provocar un incendio, una explosión o riesgo de lesiones.

- f) **No exponga una batería o una herramienta al fuego o a temperatura excesiva.** La exposición al fuego o a temperaturas superiores a 130 °C puede provocar una explosión. **NOTA** La temperatura "130 °C" puede sustituirse por la temperatura "265 °F".
- g) **Siga todas las instrucciones de carga y no cargue la batería o la herramienta fuera del rango de temperatura especificado en las instrucciones.** La carga incorrecta o a temperaturas fuera del rango especificado puede causar daños a la batería y aumentar el riesgo de incendio.

6) Servicio

- a) **Haga reparar su herramienta eléctrica por una persona cualificada, usando solo piezas de repuesto idénticas.** Esto garantiza que se mantenga la seguridad de la herramienta eléctrica.
- b) **Nunca repare las baterías dañadas.** El mantenimiento de las baterías debe ser realizado solo por el fabricante o los proveedores de servicio autorizados.

INSTRUCCIONES ESPECIALES DE SEGURIDAD PARA PISTOLA DE AIRE CALIENTE

Antes de usar la maquina por primera vez controle lo siguiente:



La tensión del motor corresponde a la tensión existente en la red. El cable y la clavija están en buen estado: sólidos, sin hilachos o averías.

- Evite el uso de prolongadores largos.
- No usar el aparato bajo circunstancias húmedas.
- La boquilla de metal se calienta. Tenga cuidado entonces con tocar la boquilla de metal!
- Evite dañar el elemento térmico. No tapar ni bloquear la boquilla.
- No pierda de la vista el aparato una vez encendido.
- No utilice nunca este aparato como secador de pelo o para secar personas o animales;
- No usar el aparato en el baño ni encima de agua, ni en espacios donde se usan líquidos muy inflamables.



Este aparato funciona a una temperatura de 600° Celsius sin indicios visibles de esta temperatura (no hay llama), sin embargo hay peligro de incendio. Cuidado con la corriente de aire caliente que sale de la boquilla. Esta corriente de aire puede causar que maduras.

Al poner el aparato en funcionamiento

- Cuando utilice la pistola de aire caliente, se pueden generar gases o vapores dañinos para la salud durante un breve lapso de tiempo. Los asmáticos pueden sufrir ataques a consecuencia de dichas emanaciones;
- Comprobar que el interruptor esté en la posición "0", antes de conectar el enchufe de conexión a la red a la tensión de red.
- Siempre mantener el cable de conexión a la red a distancia de la boquilla de la Pistola de aire caliente.
- Mantener a distancia a los niños y los animales cuando usa el aparato.

Desconectar inmediatamente el aparato en caso de:

- Fallo en el enchufe, en el cable o avería del cable.
- Interruptor averiado.
- Humo o mal humor de material aislante quemado.

Seguridad eléctrica

Tenga siempre presentes las normas de seguridad locales con respecto al peligro de incendio, peligro de sufrir descargas eléctricas y peligro de accidentes. Lea, además de las instrucciones que siguen a continuación, las normas de seguridad que aparecen en el cuadernillo anexo.



Controle que la tensión de la red sea la misma que la que aparece indicada en la placa.



Herramienta de tipo II – Doble aislamiento – No requiere enchufe con conexión a tierra.

2. INFORMACION DE LA MAQUINA.

Uso previsto

Esta pistola de aire caliente ha sido diseñada para una amplia gama de aplicaciones tales como la soldadura de plásticos, la deformación de materiales, las tuberías termorretráctiles, la eliminación de residuos de material o el secado de pintura. También es adecuada para aflojar las juntas adhesivas y descongelar las líneas de agua.

ESPECIFICACIONES TECNICAS

| Modelo n.o | HA502AC |
|----------------------|------------|
| Voltaje | 220-240 V~ |
| Frecuencia | 50 Hz |
| Entrada de corriente | 2000 W |

| | |
|----------------------|---------------|
| Peso | 1,0 kg |
| IP Clase | IP 20 |
| Posición I | |
| Corriente del aire | 250-500 l/min |
| Temperatura del aire | 50 °C |
| Position II | |
| Corriente del aire | 250-500 l/min |
| Temperatura del aire | 50-650 °C |

Nivel de vibración

El nivel de emisión de vibraciones indicado en este manual de instrucciones ha sido medido según una prueba estándar proporcionada en EN 60745; puede utilizarse para comparar una herramienta con otra y como valoración preliminar de la exposición a las vibraciones al utilizar la herramienta con las aplicaciones mencionadas.

- al utilizarla para distintas aplicaciones o con accesorios diferentes o con un mantenimiento deficiente, podría aumentar de forma notable el nivel de exposición.
- en las ocasiones en que se apaga la herramienta o cuando está funcionando pero no está realizando ningún trabajo, se podría reducir el nivel de exposición de forma importante.

Protéjase contra los efectos de la vibración realizando el mantenimiento de la herramienta y sus accesorios, manteniendo sus manos calientes y organizando sus patrones de trabajo.

DESCRIPCION

Los números del texto se refieren a los diagramas de las páginas 2 -3.

Fig. A-C

1. Interruptor
2. Ranuras de ventilación
3. Boquilla
4. Pantalla digital LCD
 - 4.1 Entrada preestablecida
 - 4.2 Intermitente
 - 4.3 Indicador de modo preestablecido
 - 4.4 Indicador de temperatura
 - 4.5 Indicador de corriente de aire
5. Botón de almacenamiento
6. Botón de selección de modo
7. Botón para regular la temperatura-
8. Botón para regular la temperatura+

9. Botón para regular el flujo de aire +
10. Botón para regular el flujo de aire -
11. Lado trasero plano
12. Boquilla de cola de pez
13. Boquilla reductora
14. Boquilla protectora para vidrio
15. Tobera con reflector
16. Rasqueta

3. MONTAJE

Se puede usar la pistola de aire caliente, entre otras cosas, para:

- Fontanería, como conexiones de tubos, soldadura blanda, doblar tubos.
- Quitar pintura, barniz y laca sin peligro de incendio.
- Secar rápidamente aparatos mojados.
- Presecado de superficies para reparación rápida.
- Quitar etiquetas autoadhesivas de una manera limpia.
- Perfecta para la aplicación de etiquetas de PVC.
- Alisar burbujas que pueden haberse producido al pegar materiales de PVC.
- Quitar fácilmente alfombrado de vinilo.
- Formar todos los materiales sintéticos de baja temperatura (400° Celso) como el polietileno y el PVC.
- Formar todos los materiales sintéticos de alta temperatura (600° Celso) como plexiglás y plástico acrílico.
- Fundir material sintético, como materiales y láminas con capa de PVC.
- Aplicación de tubos retractables.
- Embalajes retractables.
- Descongelar tubos y motores.
- Reparar acabados: el esmalte del baño y de aparatos domésticos; aplicación de revestimientos de polvo de epoxi.
- Reparar esquís, tablas de surf y otros artículos deportivos.
- Soltar tornillos y conexiones demasiado ajustados.

Funcionamiento Fig. A

Se puede trabajar normalmente con la Pistola de aire caliente en la mano, o colocarla verticalmente.

- Controlar si el interruptor de red está en la posición "0" antes de conectar el enchufe de conexión a la red a la red de alumbrado.
- Mantenga los cables de alimentación alejados del flujo de aire caliente o de la boquilla;

- Ponga el interruptor de corriente en posición «I o II» para que funcione la pistola de aire comprimido:
 "I" = 50 grados, flujo de aire de 250-500 l/min
 "II" = 50-650 grados, flujo de aire de 250-500 l/min
 "0" = Apagado

Configuración de temperatura y flujo de aire. (Fig. B)

- Ponga el interruptor en I o II para encender la pistola de calor.
- Ponga el interruptor en II.
 - Elija el rango de temperatura deseado con los botones de ajuste (7, 8).
 - La temperatura puede ajustarse en tramos de aumento de 10 °C, de 50 °C a 650 °C.
 - La luz intermitente (4.2) seguirá parpadeando antes de que la temperatura de salida alcance la temperatura deseada.
 - Elija el nivel de flujo de aire deseado con los botones de ajuste (9, 10).
- Ponga el interruptor en I; la temperatura se bajará a 50 °C para enfriar.

Selección de modo preestablecido (fig. B, C, D)

- Hay 4 modos preestablecidos para selección rápida de temperatura y configuración de flujo de aire para aplicaciones más frecuentes y definidas.
 - Encienda la herramienta.
 - Haga clic en el botón de selección de modo (6) para seleccionar uno de los preajustes disponibles.

Entrada de modo preestablecido (fig. B, C, D)

- Seleccione un modo preestablecido (consulte la selección de modos preestablecidos)
- Establezca la temperatura y el flujo de aire deseados haciendo clic en los botones (7, 8, 9, 10) (consulte configuración de temperatura y flujo de aire). El símbolo de entrada preestablecida (4.1) seguirá parpadeando durante el proceso.
- Luego, mantenga pulsado el botón de almacenamiento (5) durante 2 segundos hasta que desaparezca el símbolo de entrada preestablecida (4.1). La nueva configuración de temperatura y flujo de aire se almacenará en el modo preestablecido para selección rápida

| Configuración | Aplicaciones |
|---------------|---|
| I | <ul style="list-style-type: none"> ▪ Pintura de secado, muestras de colores de barniz, rellenos, adhesivos, juntas de construcción y estucados, laca ▪ Secado de madera húmeda antes del llenado ▪ Quitar pegatinas ▪ Unir adhesivos: encolado de superficies grandes con adhesivos de contacto, activación de adhesivos sensibles a la presión, aceleración de procesos de unión, liberación de puntos de unión, así como liberación o unión de listones o chapado. ▪ Encerado y desencerado ▪ Tubos de aislamiento y envoltura de PVC retráctil ▪ Secado rápido de los aparatos que se hayan mojado. ▪ Descongelación de escaleras y escalones helados, cerraduras, puertas de maleteros, puertas de coches o tuberías de agua, así como para descongelar frigoríficos y neveras portátiles. |
| II | <ul style="list-style-type: none"> ▪ Soldadura de polímeros termoplásticos, materiales para suelos de PVC y linóleo, tela recubierta de PVC, lonas y papel de aluminio ▪ Aplicar tubos retráctiles de calor ▪ Empaquetadoras ▪ Doblar tubos y láminas de plástico ▪ Soldadura de juntas de fontanería, estaño, soldadura de plata especial, componentes SMD, terminales de cables ▪ Aflojar tuercas y tornillos oxidados o demasiado apretados ▪ Eliminación de recubrimientos viejos e incluso gruesos de pintura al óleo, laca, barniz, yeso sintético y alfombras de vinilo ▪ Reparación de esquíes, tablas de surf y otros artículos deportivos ▪ Reparación de capas de acabado: esmaltado de baños y electrodomésticos; aplicación de recubrimientos epoxídicos ▪ Desinfección: con aire caliente a 600 °C, puede eliminar rápidamente las bacterias de pocilgas/establos. Puede controlarse la infestación de carcoma (Precaución: ¡Peligro de incendio! No caliente en exceso la superficie de madera). |

¡CONSEJO! Si no está seguro de la configuración correcta, comience con una configuración a baja temperatura y aumente gradualmente la temperatura hasta lograr resultados óptimos.

Si la temperatura supera los 650 °C, el elemento térmico se apagará automáticamente. No obstante, el ventilador sigue funcionando. Cuando el elemento térmico haya bajado a la temperatura de funcionamiento, volverá a encenderse.

Apagado:

Mueva el interruptor a 0.

Consejo: La configuración óptima depende del material y puede establecerse probando los dispositivos en una pequeña parte de la pieza de trabajo.

Lado trasero plano (Fig. E)

Entre uso y uso, puede apoyar fácilmente la máquina sobre su parte trasera plana (11). De este modo se evita que la máquina entre en contacto con otras superficies.

La parte trasera plana (11) también permite utilizar la máquina en modo estacionario vertical. Después del uso, coloque siempre la máquina sobre la parte trasera plana (11). Así la máquina se enfriará de forma segura.

Para reducir el tiempo de enfriamiento, cambie la herramienta a la posición I, que está a la temperatura de aire más baja y ajuste el flujo de aire al máx. y déjelo correr unos minutos.

Uso de los accesorios (Fig. F)

Boquilla de cola de pez (12)

Distribuye el aire de forma equitativa en zonas lisas y amplias, por ejemplo, cuando seca grandes superficies lisas

Boquilla reductora (13)

Distribuye el aire de forma equitativa en zonas pequeñas, por ejemplo, al soldar y en mangas retráctiles

Boquilla protectora para vidrio (14)

Desvía el aire del vidrio, por ejemplo, para quitar la pintura de los marcos de las ventanas o para ablandar la masilla.



No quite la pintura de marcos metálicos de ventanas, ya que el calor podría transferirse al cristal y romperlo. Para quitar pintura de otros marcos de ventanas, use la tobera de protección de cristal.

Tobera con reflector (15)

Distribuye aire alrededor del material, por ejemplo, al soldar tuberías

Rasqueta (16)

La rasqueta se puede usar para quitar pintura y barniz de superficies rectas, esquinas de 90 ° y esquinas redondeadas.



Vite acumular pintura en el accesorio de la rasqueta, ya que podría incendiarse. Si es necesario, retire con cuidado los restos de pintura del accesorio de la rasqueta

4. MANTENIMIENTO



Antes de cualquier trabajo de mantenimiento o limpieza saque siempre el enchufe de la caja de corriente (enchufe de pared). Nunca use agua o otros líquidos durante el limpieza de la máquina.

- Nunca emplear líquidos inflamables para limpiar la Pistola de aire caliente, especialmente para la boquilla.
- Un mantenimiento periódico de la pistola de aire caliente evita problemas inútiles. Mantenga limpias las ranuras de ventilación del motor para evitar un sobre calentamiento.

Averías

Cuando la máquina no funciona como debiera, le indicamos abajo algunas causas posibles con las soluciones respectivas.

- **El motor se pone caliente.**
- Las aberturas de ventilación de la Pistola de aire caliente están tapadas con el polvo.
Limpie las aberturas de ventilación.
- **La máquina funciona cuando está conectada.**
- Interrupción en el circuito eléctrico.
Controle el cable y la clavija.
- El interruptor está defectuoso.
Quite el enchufe de conexión a la red, es que

hay peligro de incendio! Lleve la máquina a su distribuidor para un control y/o una reparación.

▪ **El motor no funciona, pero sí calienta.**

- Interrupción en el motor eléctrico.

Quite el enchufe de conexión a la red, es que hay peligro de incendio! Lleve la máquina a su distribuidor para un control y/o una reparación.

garantías explícitas o implícitas que excedan las citadas aquí, incluidas las garantías implícitas de comerciabilidad e idoneidad para una finalidad en especial. VONROC no será considerada responsable en ningún caso por daños incidentales o consecuentes. Los recursos a disposición de los distribuidores se limitan a la reparación o a la sustitución de las unidades o piezas no conformes.

MEDIOAMBIENTE



Los aparatos eléctricos o electrónicos defectuosos y/o desechados deben recogerse en lugares de reciclado apropiado.

El producto y el manual de usuario están sujetos a variaciones. Las especificaciones pueden variarse sin previo aviso.

Solo para países de la Comunidad Europea

No elimine las herramientas eléctricas como residuos domésticos. De acuerdo con la Directiva europea 2012/19/CE sobre residuos de aparatos eléctricos y electrónicos, y su transposición a las legislaciones nacionales, las herramientas eléctricas que ya no se utilizan deben recogerse por separado y eliminarse en modo ecológico.

CONDICIONES DE GARANTÍA

Los productos VONROC han sido desarrollados con los más altos estándares de calidad y VONROC garantiza que están exentos de defectos relacionados con los materiales y la fabricación durante el periodo legalmente estipulado, a contar desde la fecha de compra original. En caso de que el producto presente defectos relacionados con los materiales y/o la fabricación durante este periodo, póngase directamente en contacto VONROC.

La presente garantía se excluye en los siguientes casos:

- Si centros de servicios no autorizados han realizado o han intentado realizar reparaciones y/o alteraciones a la máquina.
- Si se ha producido un desgaste normal.
- Si la herramienta ha sido mal tratada o usada en modo impropio, o se ha realizado incorrectamente su mantenimiento.
- Si se han utilizado piezas de repuesto no originales.

La presente constituye la única garantía implícita y explícita que ofrece la compañía. No existen otras

1. ISTRUZIONI DI SICUREZZA

Leggere accuratamente gli avvisi di sicurezza, gli avvisi di sicurezza aggiuntivi e le istruzioni. La mancata osservanza degli avvisi di sicurezza e delle istruzioni potrebbe causare scosse elettriche, incendio e/o gravi lesioni. Mantenere gli avvisi di sicurezza e le istruzioni a portata di mano per future consultazioni.

I seguenti simboli sono utilizzati nel presente manuale utente o sul prodotto:



Denota il rischio di lesioni personali, morte o danni all'utensile in caso di mancata osservanza delle istruzioni contenute nel presente manuale.



Indica il rischio di scossa elettrica.

REGOLE GENERALI DI SICUREZZA



ATTENZIONE! Leggere tutte le avvertenze di sicurezza e tutte le istruzioni. Se non si seguono tutte le istruzioni sotto elencate, si può incorrere in uno shock elettrico, in un incendio e/o in lesioni serie.

Conservare queste istruzioni.

Il termine "arnese elettrico" in tutti gli avvertimenti sotto elencati si riferisce al vostro arnese elettrico che funziona a corrente (con filo) o ad un arnese che funziona a pile (senza filo).

1) Area di lavoro

- a) **Mantenere l'area di lavoro pulita e ben illuminata.** Aree buie e disordinate favoriscono gli incidenti.
- b) **Non usare arnesi elettrici in atmosfere esplosive, come vicino ai liquidi infiammabili, gas o polveri.** Gli arnesi elettrici creano scintille che possono incendiare la polvere dei vapori.
- c) **Tenere lontani bambini e altre persone mentre si accende l'arnese elettrico.** Le distrazioni possono farvi perdere il controllo.

2) Sicurezza elettrica

- a) **Le spine dell'arnese elettrico devono andare bene per la presa di corrente. Non modificare mai la spina in alcun modo. Non usare alcun adattatore con arnesi elettrici a terra (messo a terra).** Spine non modificate che vanno bene per le prese di corrente ridurranno il rischio di shock elettrico.

- b) **Evitare il contatto corporeo con superfici a terra come tubature, radiatori, fornelli e refrigeratori.** C'è un rischio maggiore di shock elettrico se il vostro corpo è a terra.
- c) **Non esporre arnesi elettrici alla pioggia o a condizioni di umidità.** Se dell'acqua penetra nell'arnese elettrico aumenterà il rischio di shock elettrico.
- d) **Non abusare del filo. Non usare mai il filo per trasportare, spingere o staccare dalla presa l'arnese elettrico. Tenere il filo lontano da calore, olio, bordi taglienti o parti mobili.** Fili danneggiati o aggrovigliati aumentano il rischio di shock elettrico.
- e) **Quando si accende un arnese elettrico all'aperto, usare una prolunga adatta a tale uso.** Usare un filo adatto all'uso all'aperto ridurrà il rischio di shock elettrico.
- f) **Se non è possibile evitare l'uso di un elettro-utensile in ambiente umido, usare una rete di alimentazione protetta da un interruttore differenziale (salvavita).** L'uso di un salvavita riduce il rischio di scosse elettriche.

3) Sicurezza personale

- a) **Stare vigili e attento quando si accende un arnese elettrico. Non usare un arnese elettrico mentre si è stanco o sotto l'effetto di droghe, alcool o medicinali.** Un momento di disattenzione mentre si accendono arnesi elettrici può causare delle gravi lesioni personali.
- b) **Usare dispositivi di protezione individuale. Indossare sempre una protezione per gli occhi.** Dispositivi di sicurezza come mascherina per la polvere, scarpe di sicurezza antiscivolo, casco, o protezioni per le orecchie usate nelle appropriate condizioni, ridurranno le lesioni personali.
- c) **Prevenire l'avvio accidentale. Assicurarsi che l'interruttore sia spento prima di collegarsi.** Trasportare elettro-utensili tenendo il dito sull'interruttore di accensione o dare corrente ad elettro-utensili con l'interruttore acceso può dare luogo a incidenti.
- d) **Rimuovere ogni chiave regolatrice o chiave per dadi prima di accendere l'arnese elettrico.** Una chiave per dadi o una chiave lasciata attaccata ad una parte rotante dell'arnese elettrico può provocare lesioni personali.
- e) **Cercare di mantenere l'equilibrio. Mantenere sempre un punto d'appoggio appropriato.** Questo consente un controllo migliore dell'arnese elettrico in situazioni inaspettate.

- f) **Vestirsi adeguatamente. Non indossare vestiti larghi o gioielli. Tenere lontano capelli, vestiti e guanti dalle parti mobili.** Vestiti larghi, gioielli o capelli lunghi possono essere presi nelle parti mobili.
- g) **Se vengono forniti dispositivi per la connessione dell'estrazione della polvere e attrezzature di raccolta, assicurarsi che questi siano collegati e usati correttamente.** L'uso di questi dispositivi può ridurre i rischi correlati alla polvere.
- h) **Non lasciare che la confidenza acquisita dall'uso frequente induca l'utilizzatore ad assumere comportamenti imprudenti e a ignorare i principi di sicurezza per l'utensile.** Una semplice distrazione può provocare gravi lesioni personali in una frazione di secondo.
- 4) Uso e manutenzione dell'arnese elettrico**
- a) **Non forzare l'arnese elettrico. Usare l'arnese elettrico corretto per il vostro impiego.** L'arnese elettrico corretto farà il lavoro meglio e in maniera più sicura alla velocità per la quale è stato progettato.
- b) **Non usare l'arnese elettrico se l'interruttore non si accende o non si spegne.** Ogni arnese elettrico che non può essere controllato con l'interruttore è pericoloso e deve essere riparato.
- c) **Scollegare la spina dalla sorgente di elettricità prima di fare qualsiasi regolazione, cambiare gli accessori, o conservare arnesi elettrici.** Tali misure di sicurezza preventive riducono il rischio di accendere l'arnese elettrico accidentalmente.
- d) **Conservare gli arnesi elettrici inattivi fuori dalla portata dei bambini e non permettere a persone che non hanno confidenza con l'arnese elettrico o con queste istruzioni di usare l'arnese elettrico.** Gli arnesi elettrici sono pericolosi per utenti inesperti.
- e) **Mantenere gli arnesi elettrici. Controllare il non allineamento o l'attacco di parti mobili, la rottura di parti ed ogni altra condizione che può influire sul funzionamento degli arnesi elettrici. Se è danneggiato, far riparare l'arnese elettrico prima dell'uso.** Molti incidenti sono causati da arnesi elettrici mantenuti male.
- f) **Mantenere gli arnesi da taglio affilati e puliti.** È meno probabile che si attacchino degli arnesi da taglio mantenuti correttamente con tagli affilate e questi sono anche più facili da controllare.
- g) **Usare l'arnese elettrico, gli accessori e le parti dell'arnese ecc, secondo queste istruzioni e nel modo pensato per il particolare tipo di arnese elettrico, tenendo conto delle condizioni di lavoro e del lavoro da svolgere.** L'uso dell'arnese elettrico per operazioni diverse da quelle pensate potrebbe causare situazioni pericolose.
- h) **Mantenere le impugnature e le superfici di presa asciutte, pulite e libere da olio e grasso.** Impugnature e superfici di presa scivolose non consentono di maneggiare e controllare in sicurezza l'utensile in situazioni impreviste.
- 5) Uso e manutenzione dell'utensile a batteria**
- a) **Ricaricare l'apparecchio esclusivamente con il caricabatterie specificato dal fabbricante.** Se si utilizza un caricabatterie di diverso tipo potrebbero verificarsi incendi.
- b) **Utilizzare gli utensili elettrici solo con i pacchi batterie appositamente prescritti.** L'uso di pacchi batterie di diverso tipo aumenta il rischio di infortunio o incendio.
- c) **Quando il pacco batterie non è in uso, tenerlo lontano da oggetti metallici quali fermagli, monete, chiavi, chiodi, viti o altri piccoli oggetti metallici che potrebbero mettere in collegamento i due poli.** Se i poli vengono messi in corto circuito, la batteria potrebbe emettere scintille o fiammate.
- d) **In condizioni di uso scorretto, la batteria potrebbe emettere liquido: evitare pertanto di entrarvi in contatto. In caso di contatto accidentale, risciacquare con acqua. Se il liquido entra a contatto con gli occhi, consultare immediatamente un medico.** Il liquido emesso dalla batteria può causare irritazioni o ustioni.
- e) **Non utilizzare un pacco batterie o l'utensile se danneggiati o manomessi.** Pacchi batterie danneggiati o manomessi potrebbero avere comportamenti imprevedibili con il rischio di incendiarsi, esplodere o provocare lesioni a persone.
- f) **Non esporre un pacco batterie o l'utensile alle fiamme o a temperature eccessivamente elevate.** L'esposizione alle fiamme o a temperature superiori a 130 °C potrebbe provocare un'esplosione. NOTA: la temperatura di "130 °C" corrisponde a "265 °F".
- g) **Seguire tutte le istruzioni per la ricarica e non caricare il pacco batterie o l'utensile a temperature che non rientrino nell'intervallo specificato nelle istruzioni.** Se si effettua la ricarica in modo improprio o a temperature non comprese nell'intervallo specificato, il pacco batterie potrebbe subire danni e potrebbe aumentare il rischio di incendi.

6) Riparazione

- a) **L'assistenza per l'elettrodomestico deve essere prestata da un tecnico qualificato che utilizzi soltanto ricambi originali.** In questo modo viene garantita la sicurezza dell'elettrodomestico.
- b) **Non tentare di riparare pacchi batterie danneggiati.** La riparazione dei pacchi batteria deve essere effettuata esclusivamente dal produttore o presso centri di assistenza autorizzati.

REGOLE DI SICUREZZA SPECIALI PER PISTOLA TERMICA

Procedure preliminari all'uso del bruciatore controllare se:



La tensione di attacco del bruciatore è uguale a quella della rete elettrica. Il cavo di collegamento e la presa di corrente sono in buono stato: robusti, non sfilacciati o danneggiati.

- Evitare l'uso di prolunghe troppo lunghe.
- Non usare il bruciatore in ambienti umidi.
- La bocchetta di metallo diventa molto calda. Fare attenzione a non toccarla!
- Evitare danni all'elemento di riscaldamento. Non chiudere la bocchetta e non bloccarla.
- Non allontanarsi dalla macchina se attiva.
- Non usare l'apparecchio per asciugare i capelli o per asciugare esseri umani e animali vivi in genere;
- Non usare il bruciatore nella vasca da bagno o vicino all'acqua, o comunque in ambienti dove si trovano liquidi infiammabili.



Questo bruciatore funziona ad una temperatura di 600°C senza segni esterni di questa temperatura (senza fiamma), il che non esclude il rischio di incendio. Fare attenzione alla corrente di aria calda che esce dalla bocchetta. Quest'aria può causare ustioni.

Procedure preliminari all'uso

- Se dovete usare la pistola termica, può essere possibile per un breve periodo di tempo l'emissione di vapori e gas che possono essere dannosi per la salute. Gli asmatici in particolare possono risentirne;
- Controllare se l'interruttore non è posizionato su 'ON' prima di inserire la spina nella presa di corrente.

- Mantenere il cavo di collegamento sempre lontano dalla bocchetta del bruciatore.
- Mantenere il bruciatore lontano da bambini ed animali.

Disattivare il bruciatore immediatamente in caso di:

- Malfunzionamento della spina del cavo, del cavo o danni al cavo stesso.
- Interruttore difettoso.
- Fumo o odore di materiale isolante bruciato.

Norme elettriche di sicurezza

Quando utilizar máquinas eléctricas deve sempre respeitar as normas de segurança em vigor no local, devida ao perigo de incêndio, de choques eléctricos ou ferimentos pessoais. Para além das instruções abaixo, leia também as instruções de segurança apresentadas no folheto de segurança em anexo. Guarde as instruções num lugar seguro!



Ascertainarsi sempre che l'alimentazione elettrica corrisponda alla tensione indicata sulla targhetta dei dati caratteristici.



Macchina classe II - Doppio isolamento - Non è necessaria la messa a terra.

2. INFORMAZIONI RELATIVE ALL'ELETTRODOMESTICO

Uso previsto

Questo termosoffiatore è destinato a un'ampia gamma di applicazioni, quali per esempio la saldatura di materiale plastico, la deformazione di materiale termoplastico, l'applicazione di tubi termoretraibili, la rimozione di residui di materiale o l'asciugatura di vernice. Inoltre esso è adatto per staccare parti incollate e per sghiacciare tubazioni dell'acqua.

DATI TECNICI

| Numero modello | HA502AC |
|--------------------|---------------|
| Tensione | 220-240 V~ |
| Frequenza | 50/60 Hz |
| Potenza assorbita | 2000 W |
| Peso | 1,0 kg |
| IP Classe | IP 20 |
| Posizione I | |
| Flusso aria | 250-500 l/min |

| | |
|---------------------|---------------|
| Temperatura aria | 50 °C |
| Posizione II | |
| Flusso aria | 250-500 l/min |
| Temperatura aria | 50-650 °C |

Livello delle vibrazioni

Il livello di emissione delle vibrazioni indicato sul retro di questo manuale di istruzioni è stato misurato in conformità a un test standardizzato stabilito dalla norma EN 60745; questo valore può essere utilizzato per mettere a confronto un l'utensile con un altro o come valutazione preliminare di esposizione alla vibrazione quando si impiega l'utensile per le applicazioni menzionate.

- se si utilizza l'utensile per applicazioni diverse, oppure con accessori differenti o in scarse condizioni, il livello di esposizione potrebbe aumentare notevolmente.
- i momenti in cui l'utensile è spento oppure è in funzione ma non viene effettivamente utilizzato per il lavoro, possono contribuire a ridurre il livello di esposizione.

Proteggersi dagli effetti della vibrazione effettuando la manutenzione dell'utensile e dei relativi accessori, mantenendo le mani calde e organizzando i metodi di lavoro.

DESCRIZIONE

I numeri che compaiono nel testo si riferiscono agli schemi riportati alle pagine 2 - 3

Fig. A-C

1. Interruttore
2. Feritoie di ventilazione
3. Ugello di diffusione
4. Display digitale LCD
- 4.1 Ingresso preimpostato
- 4.2 Lampeggiatore
- 4.3 Indicazione modo preimpostato
- 4.4 Indicazione di temperatura
- 4.5 Indicazione del flusso d'aria
5. Pulsante di memorizzazione
6. Pulsante di selezione modo
7. Pulsante di regolazione aumento temperatura
8. Pulsante di regolazione diminuzione temperatura
9. Pulsante di regolazione aumento flusso d'aria
10. Pulsante di regolazione diminuzione flusso d'aria
11. Retro di appoggio piatto
12. Bocchetta a coda di pesce

13. Bocchetta di riduzione
14. Bocchetta di protezione per vetro
15. Bocchetta riflettore cucchiaio
16. Raschietto

3. MONTAGGIO

Il bruciatore é da usare tra l'altropere:

- Lavori idraulici come collegamenti di tubature, saldature morbide, piegatura di tubi;
- La rimozione di vernice, vernice trasparente e lacca senza rischio di incendio;
- L'asciugatura rapida di apparecchiature bagnate;
- L'asciugatura di superfici per facilitarne una rapida riparazione;
- La rimozione di etichette autoadesive in maniera pulita;
- La perfetta applicazione di etichette in PVC;
- La rimozione di bolle d'aria sulle superfici di materiali in PVC dopo la loro applicazione;
- La facile rimozione di moquette in vinile.
- Il modellamento di materiali in plastica a temperatura moderata (400 °C), tra cui polietilene e PVC;
- Il modellamento di materiali in plastica a temperatura elevata (600 °C), tra cui vetro in acrilico e Plexiglas;
- La fusione di materiali in plastica, tra cui sostanze e pellicole con strato in PVC;
- L'uso di tubi termocontrattili;
- Imballaggi con involucro termocontrattile;
- Lo scongelamento di tubi e motori;
- La riparazione di strati di rifinitura: smalto di vasche da bagno ed elettrodomestici: l'applicazione di strati di rifinitura in polvere epossida;
- La riparazione di sci, tavole a vela ed altri articoli sportivi;
- Svitare viti e attacchi fissati troppo stretti.

Funzionamento (Fig. A)

Il bruciatore può essere adoperato a mano o posizionato in maniera verticale.

- Prima di inserire la spina nella presa di corrente controllare se l'interruttore di rete si trova in posizione "0".
- Tenere il cavo di alimentazione sempre lontano dal getto d'aria calda e dal nasello.
- Collocare l'interruttore di alimentazione sulla posizione "I o II" per permettere il funzionamento della propria pistola ad aria calda: "I" = 50 gradi, flusso d'aria 250-500 l/min.

“II” = 50-650 gradi, flusso d'aria 250-500 l/min.
 “0” = Spento

Impostazioni temperatura e flusso d'aria. (fig. B)

- Girare l'interruttore su I o II e la pistola ad aria calda viene avviata.
- Girare l'interruttore su II.
 - Selezionare l'ambito di temperatura desiderato mediante i pulsanti di regolazione (7, 8).
 - La temperatura può essere regolata in passi da 10 °C da 50 °C a 650 °C.
 - Il lampeggiatore (4.2) continua a lampeggiare prima che la temperatura di uscita raggiunga la temperatura desiderata.
 - Selezionare il livello del flusso d'aria desiderato mediante i pulsanti di regolazione (9, 10).
- Girare l'interruttore su I, la temperatura viene fissata su 50 °C per il raffreddamento.

Selezione modo preimpostato (fig. B, C, D)

- Sono disponibili 4 modi preimpostati per la selezione rapida dell'impostazione di temperatura e flusso d'aria per le applicazioni più frequenti e definite.
 - Accendere l'utensile.
 - Fare clic sul pulsante di selezione modo (6) per selezionare una delle preimpostazioni disponibili.

Ingresso modo preimpostato (fig. B, C, D)

- Selezionare un modo preimpostato (vedi la selezione del modo preimpostato)
- Impostare la temperatura e il flusso d'aria desiderati facendo clic sui pulsanti (7, 8, 9, 10) (vedi Impostazioni temperatura e flusso d'aria). Durante il processo il simbolo dell'ingresso preimpostato (4.1) continua a lampeggiare.
- Tenere poi il pulsante di memorizzazione (5) premuto per 2 secondi fino a quando il simbolo dell'ingresso preimpostato (4.1) non scompare. La nuova impostazione di temperatura e flusso d'aria è memorizzata nel modo preimpostato per una selezione rapida

| Impostazione | Applicazioni |
|--------------|--|
| I | <ul style="list-style-type: none"> ▪ Essiccazione di vernice, campioni di tonalità di smalto, riempitore, colle, giunti costruttivi e forme di stucco, lacca ▪ Essiccazione di legno umido prima del riempimento ▪ Rimozione degli adesivi ▪ Unione di colle per grandi superfici con colle di contatto, attivazione di colle sensibili alla pressione, accelerazione di processi di legame, rilascio di punti di legame nonché rilascio o legame della banda di bordo o dell'impiallacciatura. ▪ Ceratura e deceratura ▪ Retrazione della confezione in PVC e dei tubi di isolamento ▪ Essiccazione rapida di applicazioni che si sono bagnate ▪ Scongellamento di scale e gradini, lucchetti di porte, coperchi di cofani, porte di automobili o tubi dell'acqua con ghiaccio nonché lo scongelamento di frigoriferi e ghiacciaie |
| II | <ul style="list-style-type: none"> ▪ Saldatura di polimere termoplastico, materiali per pavimenti in PVC e linoleum, tessuto con rivestimento in PVC, teloni e pellicole ▪ Applicazione di tubi a termoretrazione ▪ Termofardellatrici ▪ Piegatura di tubi e fogli in plastica ▪ Brasatura di giunti idraulici, stagno, brasatura speciale in argento, elementi SMD, capicorda ▪ Allentamento di dadi e viti con ruggine o con fissaggio elevato ▪ Rimozione di rivestimenti vecchi e persino spessi di vernice ad acqua, lacca, smalto, gesso sintetico e tappeto in vinile ▪ Riparazione di sci, tavole da surf e altri prodotti per lo sport ▪ Riparazione di strati di finitura, smalto in bagni e apparecchi domestici, applicazione di strati di copertura epossidici ▪ Disinfezione con aria calda a 600 °C, è possibile eliminare rapidamente i batteri da porcili e stalle. È possibile tenere sotto controllo l'infestazione di tarli (Attenzione: Pericolo di incendio! Non surriscaldare eccessivamente la superficie in legno). |

CONSIGLIO! Se non si è sicuri in merito all'impostazione corretta, iniziare con un'impostazione a temperatura bassa e aumentare gradualmente fino a raggiungere risultati ottimali.

Quando la temperatura supera i 650 °C, l'elemento riscaldante si spegne automaticamente. Tuttavia, il ventilatore continua a girare. Quando l'elemento riscaldante si è raffreddato fino a raggiungere la temperatura di esercizio, esso si rimette in funzione.

Spegnimento:

Spingere il pulsante su 0.

Consiglio: L'impostazione ottimale dipende dal materiale e può essere determinata mediante la verifica degli apparecchi su un parte esigua del pezzo in lavorazione.

Retro di appoggio piatto (Fig. E)

Tra un passaggio e l'altro durante l'uso il termosoffiatore può essere appoggiato agevolmente sul retro di appoggio piatto (11). In questo modo si evita che una qualsiasi parte calda dell'elettrotensile venga a contatto con altre superfici.

Il retro di appoggio piatto (11) consente inoltre di utilizzare il termosoffiatore appoggiato in verticale. Dopo l'uso posizionare sempre il termosoffiatore sul retro di appoggio piatto (11). In questo modo l'elettrotensile si raffredderà in sicurezza.

Per ridurre il tempo di raffreddamento, commutare l'utensile sulla posizione I che corrisponde alla temperatura più bassa dell'aria e regolare il flusso d'aria su Max. e farlo andare per alcuni minuti.

Uso degli accessori (Fig. F)

Bocchetta a coda di pesce (12)

Distribuisce equamente l'aria su una vasta area piatta, per esempio durante l'essiccazione di grandi superfici piatte

Bocchetta di riduzione (13)

Distribuisce equamente l'aria su superfici ridotte, per esempio durante la saldatura e il termorestringimento

Bocchetta per protezione vetri (14)

Devia il getto d'aria calda lontano dal vetro, per esempio durante la rimozione della vernice da telai di finestre o l'ammorbidimento di stucco.



Distribuisce equamente l'aria su superfici ridotte, per esempio durante la saldatura e il termorestringimento

Bocchetta riflettore cucchiaio (15)

Distribuisce l'aria attorno al materiale, per esempio durante la brasatura di tubi

Raschietto (16)

Il raschietto può essere utilizzato per l'asportazione di vernice e smalto su superfici diritte, angoli a 90° e angoli tondi.



Evitare di accumulare vernice sull'accessorio del raschietto, dato che può incendiarsi. Rimuovere con cura i resti di vernice dall'accessorio del raschietto in caso di necessità utilizzando un coltello.

4. MANUTENZIONE



Prima della manutenzione e della pulizia del bruciatore staccare sempre la spina dalla presa (presa di corrente). Non usare mai acqua o altri liquidi per la pulizia delle parti elettriche del bruciatore.

- Non usare mai liquidi infiammabili per la pulizia del bruciatore in genere e in particolare per la bocchetta.
- Mantenere pulite le fessure di ventilazione del bruciatore per evitare surriscaldamento. La manutenzione periodica del bruciatore previene problemi inutili.

Malfunzionamenti

Nel caso che il bruciatore non dovesse funzionare correttamente elenchiamo qui di seguito alcune possibili cause e le soluzioni relative.

- **Il motore si surriscalda.**
 - Le fessure di ventilazione del bruciatore sono otturate di sporco.
Pulire le fessure di ventilazione.
- **Il bruciatore non funziona dopo l'attivazione.**
 - Interruzioni nel circuito elettrico.
Controllare il cavo di collegamento e la spina.
 - L'interruttore è rotto.
Staccare la spina dalla presa di corrente, c'è pericolo di incendio! Rivolgersi al concessionario per la riparazione.

- **Il motore non funziona, però riscalda.**
- Interruzioni nel circuito elettrico.
Staccare la spina dalla presa di corrente, c'è pericolo di incendio! Rivolgersi al concessionario per la riparazione.

Il prodotto e il manuale per l'utente sono soggetti a modifiche. I dati tecnici possono essere modificati senza ulteriore notifica.

RISPETTO AMBIENTALE



Le apparecchiature elettriche o elettroniche difettose e/o scartate devono essere raccolte presso gli opportuni siti di riciclaggio.

Solo per i Paesi CE

Non smaltire gli elettrodomestici insieme ai rifiuti domestici. Secondo la Direttiva europea 2012/19/EC sui rifiuti delle apparecchiature elettriche ed elettroniche e relativa implementazione nelle normative locali, gli elettrodomestici ormai inutilizzabili devono essere raccolti separatamente e smaltiti in modo ecologico.

DEFINIZIONI DELLA GARANZIA

I prodotti VONROC sono sviluppati secondo i più elevati standard di qualità e viene garantita l'assenza di difetti nei materiali e nella manodopera per il periodo contrattuale a partire dalla data di acquisto originale. Qualora il prodotto dovesse subire un guasto qualsiasi durante questo periodo a causa di difetti nei materiali e/o nella manodopera, si prega di contattare direttamente il VONROC.

Le seguenti circostanze sono escluse da questa garanzia:

- Riparazioni e/o modifiche alla macchina sono state eseguite o tentate da centri di assistenza non autorizzati.
- Normale usura.
- L'utensile è stato abusato, utilizzato o manutenu-
to in modo improprio.
- Sono state utilizzate parti di ricambio non originali

Ciò costituisce l'unica garanzia espressa o implicita fornita dall'azienda. Non esistono altre garanzie es-
presse o implicite che si estendono oltre il presente documento, ivi comprese le garanzie implicite di commerciabilità e idoneità per uno scopo particolare. In nessun caso VONROC sarà responsabile di eventuali danni incidentali o consequenziali. I rime-
di dei rivenditori saranno limitati alla riparazione o sostituzione di unità o parti non conformi.

1. INSTRUKCJE DOTYCZĄCE

Przeczytać dołączone ostrzeżenia dotyczące bezpieczeństwa, dodatkowe ostrzeżenia dotyczące bezpieczeństwa oraz instrukcje. Nieprzestrzeganie ostrzeżeń dotyczących bezpieczeństwa oraz instrukcji może prowadzić do porażenia prądem, pożaru i/lub poważnych obrażeń ciała.

Zachować ostrzeżenia dotyczące bezpieczeństwa oraz instrukcje na przyszłość.

Następujące symbole są umieszczone w instrukcji obsługi lub na produkcie:



Oznacza ryzyko obrażeń ciała, śmierci lub uszkodzenia narzędzia w razie nieprzestrzegania poleceń z instrukcji.



Deutet das Vorhandensein elektrischer Spannung an.

OGÓLNE ZALECENIA DOTYCZĄCE BEZPIECZEŃSTWA



UWAGA! Przeczytać wszystkie ostrzeżenia dotyczące bezpieczeństwa i wszystkie instrukcje. Nieprzestrzeganie wszystkich poniższych instrukcji może być przyczyną porażenia prądem, pożaru i/lub poważnych obrażeń.

Zachowaj poniższe instrukcje.

Termin „elektronarzędzia akumulatorowe” we wszystkich ostrzeżeniach zamieszczonych poniżej odnosi się do elektronarzędzi akumulatorowych zasilanych sieciowo (przewodowych) lub elektronarzędzi akumulatorowych działających na baterie (bezwodnych).

1) Obszar roboczy

- Obszar roboczy należy utrzymywać w czystości.** Powinien on być dobrze oświetlony. Nieład i złe oświetlenie mogą z łatwością doprowadzić do wypadku.
- Nie korzystaj z elektronarzędzi akumulatorowych w warunkach, w których łatwo może dojść do wybuchu, np. w obecności łatwopalnych cieczy, gazów lub pyłu.** Podczas pracy elektronarzędzi akumulatorowych powstają iskry, które mogą doprowadzić do zapłonu pyłu lub oparów.

- Dzieci i inne osoby postronne powinny pozostać w bezpiecznej odległości od pracującego urządzenia.** Rozproszenie uwagi może spowodować utratę kontroli nad urządzeniem.

2) Bezpieczeństwo związane z elektrycznością

- Wtyczki elektronarzędzi akumulatorowych muszą być odpowiednie do danego gniazda. Pod żadnym pozorem nie należy modyfikować wtyczki w jakikolwiek sposób. Nie należy używać adapterów, które uziemiają elektronarzędzia akumulatorowe.** Stosowanie wtyczek nie poddanych modyfikacjom oraz odpowiednich gniazd zmniejsza ryzyko porażenia prądem.
- Należy unikać bezpośredniego kontaktu fizycznego z powierzchniami uziemionymi, takimi jak rury, grzejniki, kuchenki, lodówki.** Ryzyko porażenia prądem jest większe, jeśli ciało osoby obsługującej urządzenie jest uziemione.
- Nie należy wystawiać elektronarzędzi akumulatorowych na działanie deszczu lub wilgoci.** Dostanie się wody do wnętrza elektronarzędzia akumulatorowego zwiększy ryzyko porażenia prądem.
- Nie należy używać przewodu w niewłaściwy sposób. Pod żadnym pozorem nie należy wykorzystywać przewodu do przenoszenia lub ciągnięcia elektronarzędzia akumulatorowego, ani do jego odłączania od sieci. Przewodu nie należy wystawiać na działanie ciepła, smarów. Powinien on znajdować się w bezpiecznej odległości od ostrych krawędzi i części ruchomych.** Przewody uszkodzone lub poplątane zwiększają ryzyko porażenia prądem.
- Podczas korzystania z elektronarzędzia akumulatorowego na wolnym powietrzu, należy używać przewodu przedłużacza przystosowanego do użytku na zewnątrz.** Używanie przewodu nadającego się do użytku na wolnym powietrzu zmniejsza ryzyko porażenia prądem.
- Jeśli obsługa elektronarzędzia w wilgotnym miejscu jest nieunikniona, użyć zasilania wyposażonego w wyłącznik różnicowo-prądowy.** Użycie wyłącznika różnicowo-prądowego zmniejsza ryzyko porażenia prądem.

3) Bezpieczeństwo osoby obsługującej urządzenie

- Przez cały czas należy mieć się na baczności, uważać na to, co się robi, a w czasie obsługi elektronarzędzia akumulatorowego postępować mając na uwadze zdrowy rozsądek.** Urząd-

- zenia nie powinny obsługiwać osoby zmęczone lub będące pod wpływem narkotyków, alkoholu lub leków. Chwila nieuwagi w czasie obsługi elektronarzędzi akumulatorowych może być przyczyną powstania poważnych obrażeń ciała.
- b) **Należy korzystać ze sprzętu ochronnego oraz zawsze nosić okulary ochronne.** Sprzęt ochronny, jak na przykład maska przeciwpyłowa, antypoślizgowe obuwie ochronne, kask lub słuchawki ochronne używane w właściwych sytuacjach pozwoli na zmniejszenie ryzyka obrażeń ciała.
- c) **Unikać niezamierzonego uruchomienia. Przed podłączeniem urządzenia do sieci, zawsze sprawdzić, czy przełącznik znajduje się w pozycji „wyłączony”.** Przenoszenie elektronarzędzi z palcem na przełączniku lub włączonych elektronarzędzi z przełącznikiem w położeniu włączenia jest bardzo niebezpieczne i może powodować wypadki.
- d) **Przed włączeniem elektronarzędzia akumulatorowego należy usunąć z niego wszystkie klucze nastawcze lub maszynowe.** Pozostawienie klucza zamocowanego na jednej z części obrotowych urządzenia może spowodować powstanie obrażeń ciała.
- e) **Nie należy sięgać ponad urządzeniem. Przez cały czas należy zachować odpowiednią równowagę i zapewnić odpowiednie oparcie dla stóp.** Pozwoli to na lepsze kontrolowanie urządzenia w nieoczekiwanych sytuacjach.
- f) **Należy nosić odpowiednie ubranie. Do pracy z urządzeniem nie wkładać luźnych ubrań ani biżuterii. Włosy, ubranie i rękawiczki trzymać z dala od części ruchomych.** Luźne części ubrania, biżuteria lub długie włosy mogą zostać wciągnięte przez części ruchome.
- g) **Jeśli w urządzeniu przewidziano elementy służące do odprowadzania i zbierania pyłu, należy sprawdzić, czy są podłączone, i czy działają we właściwy sposób.** Korzystanie z tego typu elementów pozwala ograniczyć ryzyko związane z wydzielaniem pyłu podczas pracy urządzenia.
- h) **Nie zezwalać na to, aby rutyna związana z częstym korzystaniem z narzędzi powodowała nadmierną pewność siebie i ignorowanie zasad bezpiecznego korzystania z narzędzi.** Nieodpowiedzialne działanie może spowodować poważne obrażenia ciała w ułamku sekundy.
- 4) **Obsługa i konserwacja elektronarzędzi akumulatorowych**
- a) **Urządzenia nie należy przeciążać. Należy korzystać z narzędzia odpowiedniego do danego typu pracy.** Odpowiednio dobrane urządzenie pozwoli na lepsze i bezpieczniejsze wykonanie pracy, we właściwym dla urządzenia tempie.
- b) **Z elektronarzędzia akumulatorowego należy wyłączyć i wyłączyć przy pomocy przełącznika.** Urządzenie, którego nie można kontrolować używając przełącznika jest niebezpieczne i powinno być oddane do naprawy.
- c) **Przed przystąpieniem do regulowania elektronarzędzi akumulatorowych, wymiany akcesoriów lub przygotowywania urządzeń do okresu przechowywania, należy odłączyć wtyczkę od źródła zasilania.** Tego typu środki ostrożności zmniejszają ryzyko przypadkowego uruchomienia urządzenia.
- d) **Nieczynne elektronarzędzia akumulatorowe należy przechowywać poza zasięgiem dzieci. Nie należy pozwolić, aby osoby nie znające urządzenia lub niniejszych instrukcji obsługiwały urządzenie.** Elektronarzędzia akumulatorowe w rękach niekompetentnych użytkowników stanowią zagrożenie.
- e) **Elektronarzędzia akumulatorowe należy utrzymywać w dobrym stanie technicznym. Należy sprawdzać, czy części ruchome są właściwie założone, i czy się nie zacinają. Należy również sprawdzać, czy jakieś części nie są uszkodzone oraz sprawdzać wszelkie inne elementy, które mogą wpłynąć na pracę urządzeń. Jeśli urządzenie jest uszkodzone, przed przystąpieniem do jego użytkowania, należy je naprawić.** Częstą przyczyną wypadków jest zły stan techniczny urządzeń.
- f) **Narzędzia służące do cięcia powinny być naostrzone i utrzymywane w czystości.** Jeśli narzędzia służące do cięcia, które posiadają ostre krawędzie tnące, są właściwie konserwowane, istnieje mniejsze prawdopodobieństwo ich zacinania się. Ponadto, łatwiej je kontrolować.
- g) **Elektronarzędzia akumulatorowego, akcesoriów, nakładek, itp. należy używać zgodnie z niniejszymi instrukcjami oraz w sposób właściwy dla danego rodzaju urządzenia, z u wzięciem pod uwagę warunków pracy oraz jej rodzaju.** Używanie urządzenia niezgodnie z przeznaczeniem może prowadzić do powstania sytuacji niebezpiecznych.

h) **Uchwyty należy utrzymywać w stanie suchym, czystym i niezabrudzonym olejem lub smarem.** Śliskie uchwyty i powierzchniowo do chwytania nie pozwalają na bezpieczne obchodzenie się z narzędziem i panowanie nad nim w nieoczekiwanych sytuacjach.

5) Użytkowanie i konserwacja urządzenia zasilanego akumulatorkami

a) **Ładować tylko przy użyciu ładowarki określonej przez producenta.** Ładowarka przewidziana dla jednego rodzaju akumulatorków stwarza ryzyko pożaru w przypadku użycia jej z innym zestawem akumulatorków.

b) **Należy używać jedynie akumulatorków przeznaczonych dla danego urządzenia.** Użycie innych akumulatorków stwarza ryzyko wystąpienia obrażeń ciała lub pożaru.

c) **Kiedy akumulatorki nie są używane, należy przechowywać je z dala od przedmiotów metalowych, takich jak spinacze do papieru, monety, klucze, gwoździe, śruby lub inne niewielkie przedmioty metalowe, które mogłyby spowodować zwarcie pomiędzy stykami.** Zwarcie styków akumulatorka może spowodować pożar.

d) **W przypadku przeciążenia z akumulatorka może wycieknąć płyn; nie należy go dotykać. W razie przypadkowego kontaktu przemyć skórę wodą. W przypadku dostania się płynu do oczu należy skontaktować się z lekarzem.** Płyn z akumulatorka może powodować podrażnienia lub oparzenia.

e) **Nie używać uszkodzonego ani zmodyfikowanego akumulatorka lub narzędzia.** Uszkodzone lub zmodyfikowane akumulatorki mogą działać w sposób nieoczekiwany, co może powodować pożar, wybuch lub ryzyko obrażeń ciała.

f) **Nie wystawiać akumulatorka ani narzędzia na działanie płomienia lub zbyt wysokiej temperatury.** Narażenie na działanie płomienia lub temperatury powyżej 130°C może spowodować wybuch. UWAGA Temperaturę „130 °C“ można zastąpić temperaturą „265 °F“.

g) **Przestrzegać wszystkich instrukcji ładowania i nie ładować akumulatorka ani narzędzia poza zakresem temperatury podanym w instrukcji.** Nieprawidłowe ładowanie lub ładowanie w temperaturze poza podanym zakresem może spowodować uszkodzenie akumulatorka i zwiększyć ryzyko pożaru.

6) Serwis

a) **Zlecać serwisowanie elektronarzędzie wykwalifikowanemu technikowi stosującymi jedynie części zamienne identyczne z oryginalnymi.** Zapewni to zachowanie bezpieczeństwa elektronarzędzia.

b) **Nigdy nie serwisować uszkodzonych akumulatorów.** Serwisowanie akumulatorów może przeprowadzać wyłącznie producent lub autoryzowany serwis.

DODATKOWE OSTRZEŻENIA DOTYCZĄCE BEZPIECZEŃSTWA DLA NAGRZEWNICY PISTOLETOWEJ

Przed użyciem aparatu do odpalania farby skontrolować, czy:



Napięcie przyłączeniowe aparatu do odpalania farby zgadza się z napięciem sieci, Sznur i wtyczka sieciowa są w dobrym stanie, bez luźnych drutów i uszkodzeń.

- Unikać używania długich kabli przedłużających.
- Nie używać aparatu przy panującej wilgoci.
- Metalowa nasadka podlega nagrzanemu. Należy uważać, aby jej nie dotknąć!
- Unikać uszkodzenia elementu grzejnego. Nie należy odcinać nasadki ani jej blokować.
- Nie odchodzić od aparatu, jeśli jest włączony.
- Jeśli aparat nie jest używany, to należy go umieścić na rozkładanym kabłąku, który stanowi część aparatu. Umieszczony na rozłożonym kabłąku aparat można ustawić na stole. W tej pozycji aparatu do odpalania farby nakładka będzie skierowana do góry.
- Urządzenia nie wolno używać do suszenia włosów ani całego ciała osób lub zwierząt.
- Nie należy używać aparatu w wannie, ponad wodą, ani w pomieszczeniach, w których używane są łatwopalne płyny.



Omawiany aparat działa przy temperaturze 600 Celsjusza. Pomimo braku widocznych oznak tej temperatury (płomienia) istnieje niebezpieczeństwo oparzenia.

Należy uważać na gorące

- powietrze wydzielana z nasadki. Może ono spowodować rany oparzeniowe.
- W trakcie używania opalarki może dojść do krótkotrwałego uwolnienia oparów i gazu. Te

substancje mogą być szkodliwe dla zdrowia. Ich emisja może być uciążliwa dla astmatyków.

- Przed włączeniem wtyczki do kontaktu należy się upewnić, że aparat nie znajduje się w pozycji "WŁĄCZONY".
- Sznur sieciowy nie może się nigdy znajdować w pobliżu nasadki aparatu do odpalania farby.

Natychmiast wyłączyć aparat w przypadku:

- Zakłócenia we wtyczce lub sznurze sieciowym względnie uszkodzenia sznura,
- Uszkodzonego przełącznika,
- Wydalanego przez aparat dymu lub zapachu spalonej instalacji.

Bezpieczeństwo związane z elektryczną ością

Pod czas wykorzystania urządzenia elektrycznego należy zawsze przestrzegać odpowiednie przepisy bezpieczeństwa, które są ważne w Waszym kraju w celu zmniejszenia ryzyka pożaru, porażenia prądem elektrycznym oraz zranienia personelu.



Sprawdzić, czy napięcie sieciowe jest zgodne z parametrami na tabliczce znamionowej.



II klasy – Izolacja podwójna – Wasze gniazdo nie potrzebuje uziemienia.

2. DANE TECHNICZNE

Przeznaczenie

Niniejsza nagrzewnica pistoletowa jest przeznaczona do szerokiej gamy zastosowań, jak zgrzewanie tworzyw sztucznych, odkształcanie materiału, kurczenie rur termokurczliwych, usuwanie resztek materiałów oraz suszenie farby. Nadaje się również do luzowania złączy klejonych oraz rozmrażania wodociągów.

DANE TECHNICZNE

| | |
|---------------------|---------------|
| Nr modelu. | HA502AC |
| Napięcie sieci | 220-240 V~ |
| Częstotliwość sieci | 50/60 Hz |
| Moc wejściowa | 2000 W |
| Ciężar | 1,0 kg |
| IP Klasa | IP 20 |
| Położenie I | |
| Strumień powietrza | 250-500 l/min |

| | |
|-----------------------|---------------|
| Temperatura powietrza | 50 °C |
| Położenie II | |
| Strumień powietrza | 250-500 l/min |
| Temperatura powietrza | 50-650 °C |

Poziom wibracji

Poziom emisji wibracji podany na końcu tej instrukcji został zmierzony zgodnie z testem standardyzowanym podanym w EN 60745; może służyć do porównania jednego narzędzia z innym i jako ocena wstępna narażenia na wibracje w trakcie używania narzędzia do wymienionych zadań

- używanie narzędzia do innych zadań, lub z innymi albo źle utrzymanymi akcesoriami, może znacząco zwiększyć poziom narażenia
- przypadki, kiedy narzędzie jest wyłączone lub jest czynne, ale aktualnie nie wykonuje zadania, mogą znacząco zmniejszyć poziom narażenia

Należy chronić się przed skutkami wibracji przez konserwację narzędzia i jego akcesoriów, zakładanie rękawic i właściwą organizację pracy

Opis

Liczby w tekście odnoszą się do rysunków na stronach 2 - 3

Rys. A-E

1. Przełącznik (0/I/II)
2. Otwory wentylacyjne
3. Wyjście dyszyt
4. Cyfrowy ekran LCD
 - 4.1 Wprowadzanie pozycji pamięci
 - 4.2 Kontrolka
 - 4.3 Wskazanie trybu pozycji pamięci
 - 4.4 Wskazanie temperatury
 - 4.5 Wskazanie przepływu powietrza
5. Przycisk zapisu
6. Przycisk wyboru trybu
7. Przycisk regulacji temperatury -
8. Przycisk regulacji temperatury +
9. Przycisk regulacji przepływu powietrza +
10. Przycisk regulacji przepływu powietrza -
11. Płaski tył
12. Dysza szerokostrumieniowa
13. Dysza zwężająca
14. Dysza chroniąca szkło
15. Dysza odchylająca
16. Skrobak

3. OBSŁUGA

Nagrzewnicy pistoletowej można używać do następujących zastosowań:

- Prace hydrauliczne, jak połączenia rur, lutowanie, zaginanie rur;
- Usuwanie farb, pokostów i lakierów bez ryzyka pożarowego;
- Szybkie suszenie zamoczonych urządzeń;
- Suszenie powierzchni do szybkiej naprawy;
- Usuwanie etykiet samoprzylepnych w czysty sposób, przyklejanie naklejek PCV;
- Wygładzanie pęcherzy po przyklejeniu materiałów PCV po ogrzaniu;
- Łatwe usuwanie wykładzin winylowych;
- Formowanie tworzyw sztucznych w niskiej temperaturze (400 stopni), w tym polietylenu i PCV;
- Formowanie tworzyw sztucznych w wysokiej temperaturze (600 stopni), w tym akrylu i pleksiglasu;
- Topienie tworzyw sztucznych, w tym materiałów i folii z warstwą z PCV;
- Instalacja rur termokurczliwych;
- Pakowanie w folię termokurczliwą;
- Odtajanie rur i silników;
- Naprawa warstw wykończeniowych: emalii wanien i urządzeń AGD; nakładanie warstw wierzchnich z proszku epoksydowego;
- Naprawa nart, desek do snowboardu i innych produktów sportowych;
- Odkręcanie zbyt silnie przykręconych śrub, wkrętów i elementów złącznych.

Obsługa (Rys. A)

Aparat do odpalania farby można obsługiwać ręcznie, względnie ustawić go pionowo.

- Przed podłączeniem wtyczki do sieci świetlnej należy się upewnić, że przełącznik nie znajduje w pozycji "0".
- Przewód zasilający musi być zawsze z dala od strumienia gorącego powietrza i wylotu opalarki.
- Aby uruchomić aparat do odpalania farby należy ustawić przełącznik w pozycji "I" albo "II":
"I" = 50 strumień powietrza wynosi 250-500 litrów na minutę
"II" = 50-650 strumień powietrza wynosi 250-500 litrów na minutę
"0" = wyłączony

Regulacja ustawień temperatury i przepływu powietrza. (rys. B)

- Przeszawić włącznik w położenie I lub II, aby włączyć nagrzewnicę.
- Przeszawić włącznik w położenie II.
 - Wybrać żądany zakres temperatury przyciskami regulacji (7, 8).
 - Temperaturę można regulować co 10°C od 50°C do 650°C.
 - Kontrolka (4.2) miga do czasu osiągnięcia żądanej temperatury przez powietrze wylotowe.
 - Wybrać żądany poziom przepływu powietrza przyciskami regulacji (9, 10).
- Przeszawić włącznik w położenie I, aby ustawić temperaturę na stałe na 50 °C w celu ostygnięcia narzędzia.

Wybór trybu pozycji pamięci (rys. B, C, D)

- Dostępne są 4 tryby pozycji pamięci do szybkiego wybierania ustawień temperatury i przepływu powietrza do najczęściej używanych zastosowań.
 - Włączyć narzędzie.
 - Naciśnąć przycisk wyboru trybu (6), aby wybrać jedną z dostępnych pozycji pamięci.

Wprowadzanie ustawień trybu pozycji pamięci (rys. B, C, D)

- Wybrać jeden tryb pozycji pamięci (patrz wybór trybu pozycji pamięci)
- Ustawić żądaną temperaturę i przepływ powietrza, naciskając przyciski (7, 8, 9, 10) (patrz Regulacja ustawień temperatury i przepływu powietrza). Podczas tego procesu symbol wprowadzania pozycji pamięci (4.1) miga.
- Następnie wcisnąć i przytrzymać przycisk zapisu (5) na 2 sekundy, aż symbol wprowadzania pozycji pamięci (4.1) zniknie. Nowe ustawienia temperatury i przepływu powietrza zostaną zapisane w trybie pozycji pamięci i będą dostępne do szybkiego wyboru

| Ustawienie | Zastosowania |
|------------|---|
| I | <ul style="list-style-type: none"> ▪ Suszenie farby, próbek odcieni pokostu, wypełniacza, klejów, złączy konstrukcyjnych i sztukaterii, lakieru ▪ Suszenie mokrego drewna przed napełnieniem ▪ Usuwanie naklejek ▪ Kleje-Klejenie dużych powierzchni za pomocą klejów kontaktowych, aktywacja klejów przylepcowych, przyspieszenie procesów wiązania, odklejanie sklejonnych miejsc oraz odklejanie lub klejenie opasek krawędziowych lub forniru. ▪ Woskowanie i usuwanie wosku ▪ Kurczenie opasek z PCV i rur izolacyjnych ▪ Szybkie suszenie zamoczonych urządzeń ▪ Usuwanie lodu ze schodów i stopni, zamków drzwi, pokryw kufrów, drzwi samochodowych lub wodociągów, a także rozmrażanie chłodziarek/zamrażarek i przenośnych lodówek. |
| II | <ul style="list-style-type: none"> ▪ Zgrzewanie polimerów termoplastycznych, materiałów podłogowych z PCV oraz linoleum, materiałów pokrytych PCV, brezentów i folii ▪ Instalacja rur termokurczliwych ▪ Pakowanie w folię termokurczliwą ▪ Gięcie rur i arkuszy z tworzyw sztucznych ▪ Lutowanie połączeń wodociągowych, cyny, lutowanie z użyciem lutów srebrnych, elementów z SMD, zaczepek kabli ▪ Luzowanie zardzewiałych lub silnie dokręconych nakrętek i śrub ▪ Usuwanie starych i grubych warstw farby olejowej, lakieru, pokostu, syntetycznego tynku i wykładzin winylowych ▪ Naprawa nart, desek do snowboardu i innych produktów sportowych ▪ Naprawa warstw wykończeniowych: emalii wani i urządzeń AGD; nakładanie warstw wierzchnich z proszku epoksydowego ▪ Dezynfekcja-Gorące powietrze o temperaturze 600 °C pozwala szybko pozbywać się niepożądanych organizmów/skupisk bakterii. Można również zwalczać korniki (Przeostrogą: Ryzyko pożaru! Nie nagrzewać powierzchni drewnianej za mocno). |

WSKAZÓWKA! Jeśli nie ma się pewności co do prawidłowego ustawienia, rozpocząć od ustawienia niskiej temperatury i stopniowo ją zwiększać, aż do uzyskania optymalnych rezultatów.

Kiedy temperatura przekroczy 650°C, element grzejny wyłączy się automatycznie. Wentylator będzie jednak pracować dalej. Kiedy temperatura elementu grzejjego spadnie do poziomu roboczego, włączy się on ponownie.

Wyłączenie:

Przesunięcie przełącznika na 0.

Tip: The optimal setting depends on the material and can be determined by testing the appliances on a small part of the workpiece.

Płaski tył (rys. E)

Kiedy urządzenie nie jest używane, można je łatwo położyć na płaskim tyle (11). Zapobiega to kontaktowi gorącego powietrza z narzędzia z innymi powierzchniami

Płaski tył (11) pozwala również na używanie narzędzia w trybie stacjonarnym po ustawieniu w pionie. Po użyciu zawsze kłaść narzędzie na jego płaskim tyle (11). Pozwoli to na bezpieczne ostygnięcie narzędzia.

Aby skrócić czas stygnięcia, przestawić włącznik w położenie I z najniższym ustawieniem temperatury, ustawić maksymalny przepływ powietrza i pozwolić narzędziu pracować przez kilka minut.

Użycie akcesoriów (Rys. F)

Dysza szerokostrumieniowa (12)

Służy do równomiernego rozprowadzania powietrza na dużej i płaskiej powierzchni, np. podczas suszenia dużych i płaskich powierzchni

Reduction nozzle (13)

Służy do równomiernego rozprowadzania powietrza na małych obszarach, np. podczas zgrzewania i kurczenia elementów termokurczliwych

Dysza redukcijna (14)

Prowadzi strumień powietrza z dala od szkła, np. podczas usuwania farby z ościeżnic okiennych lub zmiękczenia kitu.



Nie usuwać powłok z metalowych ościeżnic okiennych, ponieważ ciepło może zostać przeniesione na szkło i spowodować jego pęknięcie. Do usuwania farby z innych ościeżnic okiennych używać dyszy chroniącej szkło.

Dysza odchylająca (15)

Służy do rozprowadzania powietrza wokół materiału np. podczas lutowania rur

Skrobak (16)

Skrobaka można używać do usuwania farb i lakierów na powierzchniach prostych, w rogach pod kątem 90° i wokół narożników.



Unikać gromadzenia się farby na skrobaku, ponieważ może ona się zapalić. W razie potrzeby ostrożnie usunąć resztki farby ze skrobaka nożem.

4. MAINTENANCE



Przed przystąpieniem do konserwacji silnika, sprawdź czy wtyczka jest odłączona od sieci. Nigdy nie wolno używać wody ani innych płynów do czyszczenia elektrycznych części aparatu.

- Nigdy nie należy stosować łatwopalnych płynów do czyszczenia całego aparatu, a w szczególności nasadki.
- W celu zapobieżenia przegrzaniu należy utrzymywać rowki wentylacyjne aparatu w czystym stanie. Okresowa konserwacja aparatu od odpalania farby zapobiegnie powstaniu problemów.

Zakłócenia

Poniżej podajemy kilka przypuszczalnych przyczyn zakłóceń i odpowiednie rozwiązania w przypadku, gdyby aparat do odpalania farby nie funkcjonował zgodnie z oczekiwaniami.

- **Ma miejsce przegrzanie silnika.**
 - Rowki wentylacyjne są zanieczyszczone. *Oczyszczyć rowki.*
- **Po włączeniu aparat nie zostaje uruchomiony**
 - Przerwa w silniku elektrycznym. *Skontrolować sznur sieciowy i wtyczkę.*

- Przełącznik jest uszkodzony. *W związku z niebezpieczeństwem pożaru należy wyciągnąć wtyczkę z kontaktu! Dostarczyć aparat dealerowi w celu przeprowadzenia naprawy.*
- **Silnik się nie obraca, lecz nagrzewa się**
 - Przerwa w silniku elektrycznym. *W związku z niebezpieczeństwem pożaru należy wyciągnąć wtyczkę z kontaktu! Dostarczyć aparat dealerowi w celu przeprowadzenia naprawy.*

OCHRONA ŚRODOWISKA



Uszkodzone i/lub niepotrzebne urządzenia elektryczne lub elektroniczne podlegają zbiórce w odpowiednich punktach recyklingu.

Tylko kraje WE

Nie wyrzucac elektronarzędzi wraz z odpadami z gospodarstw domowych. Zgodnie z dyrektywa 2012/19/EU dotycząca zużytych urządzeń elektrycznych i elektronicznych oraz jej wdrożeniem do prawodawstwa krajowego, elektronarzędzia, które już nie nadają się do użytku, podlegają oddzielnej zbiórce oraz utylizacji w sposób przyjazny dla środowiska.

GWARANCJA

Produkty VONROC są wytwarzane zgodnie z najwyższymi standardami jakości i producent udziela gwarancji na wady materiałowe i wady wykonania na okres wymagany prawem, licząc od dnia zakupu. Jeśli wystąpi usterka produktu w tym okresie spowodowana wadą materiałową i/lub wadą wykonania, proszę bezpośrednio skontaktować się ze sprzedawcą VONROC.

Następujące okoliczności powodują unieważnienie gwarancji:

- Przeprowadzono naprawy lub modyfikacje narzędzia w serwisie innym lub autoryzowany lub podjęto ich próbę;
- Normalne zużycie nie jest objęte gwarancją;
- Narzędzie było używane niezgodnie z przeznaczeniem, źle z nim się obchodzono lub było nieprawidłowo konserwowane;
- Użyto części zamiennych innych niż oryginalne.

Niniejsza gwarancja to wyłączna gwarancja producenta i nie obowiązują żadne inne wyrażo-

ne ani dorozumiane gwarancje. Nie obowiązują żadne inne wyrażone ani dorozumiane gwarancje o zakresie przekraczającym niniejszą gwarancję, co obejmuje dorozumiane gwarancje przydatności do sprzedaży i przydatności do określonego celu. W żadnym przypadku firma VONROC nie ponosi odpowiedzialności za straty przypadkowe lub wynikowe. Zadośćuczynienie sprzedawcy jest ograniczone do naprawy lub wymiany niezgodnych urządzeń lub części.

**Produkt i instrukcja obsługi podlegają zmianom.
Dane techniczne podlegają zmianom bez uprzedzenia.**



DECLARATION OF CONFORMITY HA502AC - HOT AIR GUN

- (EN) We declare under our sole responsibility that this product is in conformity with directive 2011/65/EU of the European parliament and of the council of 8 June on the restriction of the use of certain hazardous substances in electrical and electronic equipment is in conformity and accordance with the following standards and regulations:
- (DE) Der Hersteller erklärt eigenverantwortlich, dass dieses Produkt der Direktive 2011/65/ EU des Europäischen Parlaments und des Rats vom 8. Juni 2011 über die Einschränkung der Anwendung von bestimmten gefährlichen Stoffen in elektrischen und elektronischen Geräten entspricht, den folgenden Standards und Vorschriften entspricht:
- (NL) Wij verklaren onder onze volledige verantwoordelijkheid dat dit product voldoet aan de conform Richtlijn 2011/65/EU van het Europees Parlement en de Raad van 8 juni 2011 betreffende beperking van het gebruik van bepaalde gevaarlijke stoffen in elektrische en elektronische apparatuur en in overeenstemming is met de volgende standaarden en reguleringen:
- (FR) Nous déclarons sous notre seule responsabilité que ce produit est conforme aux standards et directives suivants: est conforme à la Directive 2011/65/EU du Parlement Européen et du Conseil du 8 juin 2011 concernant la limitation d'usage de certaines substances dangereuses dans l'équipement électrique et électronique.
- (ES) Declaramos bajo nuestra exclusiva responsabilidad que este producto cumple con las siguientes normas y estándares de funcionamiento: se encuentra conforme con la Directiva 2011/65/UE del Parlamento Europeo y del Consejo de 8 de junio de 2011 sobre la restricción del uso de determinadas sustancias peligrosas en los equipos eléctricos y electrónicos.
- (IT) Dichiariamo, sotto la nostra responsabilità, che questo prodotto è conforme alle normative e ai regolamenti seguenti: è conforme alla Direttiva 2011/65/UE del Parlamento Europeo e del Consiglio dell'8 giugno 2011 sulla limitazione dell'uso di determinate sostanze pericolose nelle apparecchiature elettriche ed elettroniche.
- (PL) Deklarujemy na własną odpowiedzialność, że ten produkt spełnia wymogi zawarte w następujących normach i przepisach: jest zgodny z Dyrektywą 2011/65/UE Parlamentu Europejskiego i Rady z dnia 8 czerwca 2011 r. w sprawie ograniczenia stosowania niektórych niebezpiecznych substancji w sprzęcie elektrycznym i elektronicznym.

EN 55014-1, EN 55014-2, EN61000-3-2, EN61000-3-3, EN60335-1, EN 60335-2-45, EN62233, 2011/65/EU, 2012/19/EU, 2014/30/EU, 2014/35/EU

Zwolle, 01-11-2019

H.G.F Rosberg
CEO

VONROC - Lingenstraat 6 - 8028 PM Zwolle - The Netherlands



VONROC®
BUILD YOUR FUTURE

©2019 VONROC
WWW.VONROC.COM

1911-20